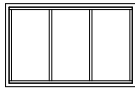
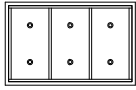




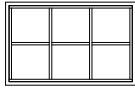
AURORA CEILING



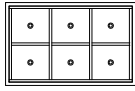
ECONOMY CEILING



VENTURE CEILING



FRAME CEILING



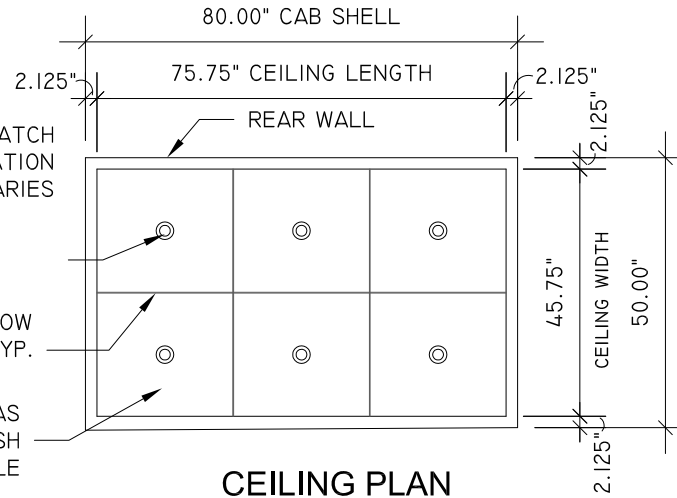
MODULAR CEILING

PANEL FINISH AS NOTED IN FINISH SCHEDULE

2" LED LIGHT FIXTURE, TYP.

1/8" SHADOW LINE, TYP.

CEILING HATCH LOCATION VARIES

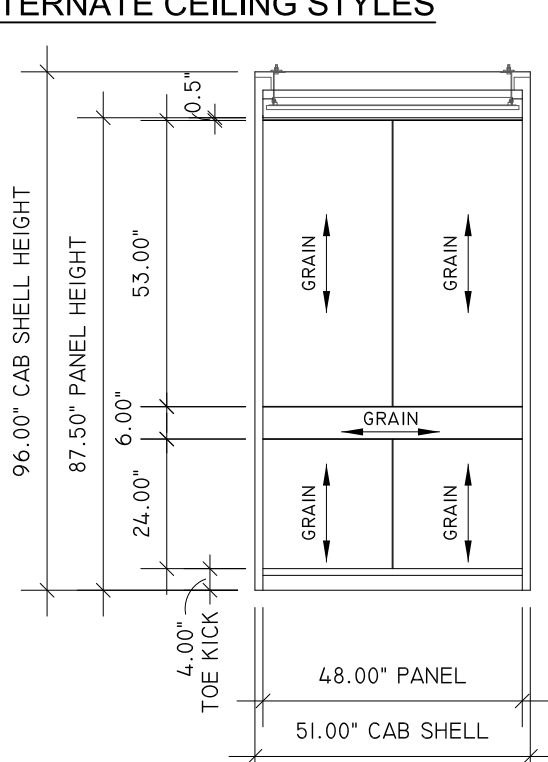


CEILING PLAN

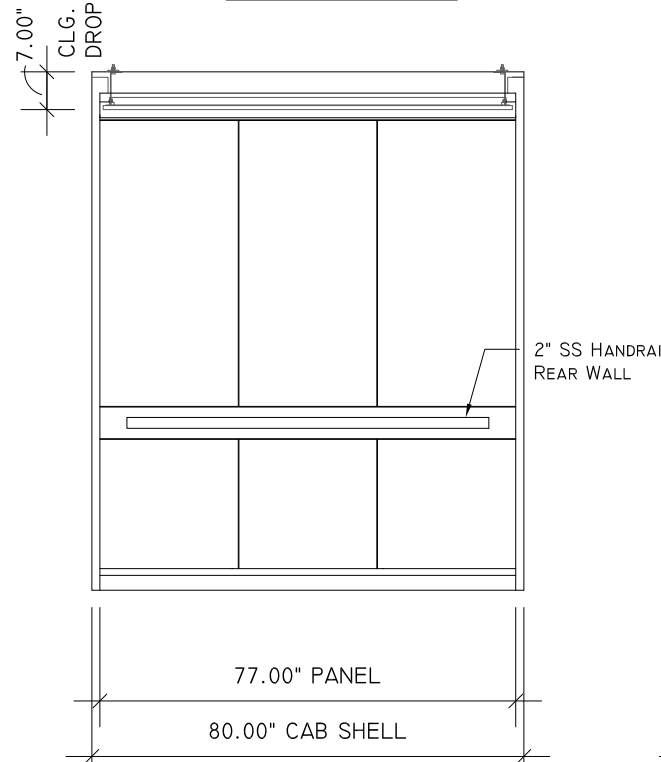
Finish Selection

Ceiling:	STAINLESS STEEL #4 FINISH
Layer 4:	NATURAL STONE
Layer 3:	STAINLESS STEEL #4 FINISH
Layer 2:	NATURAL STONE
Layer 1:	STAINLESS STEEL #4 FINISH

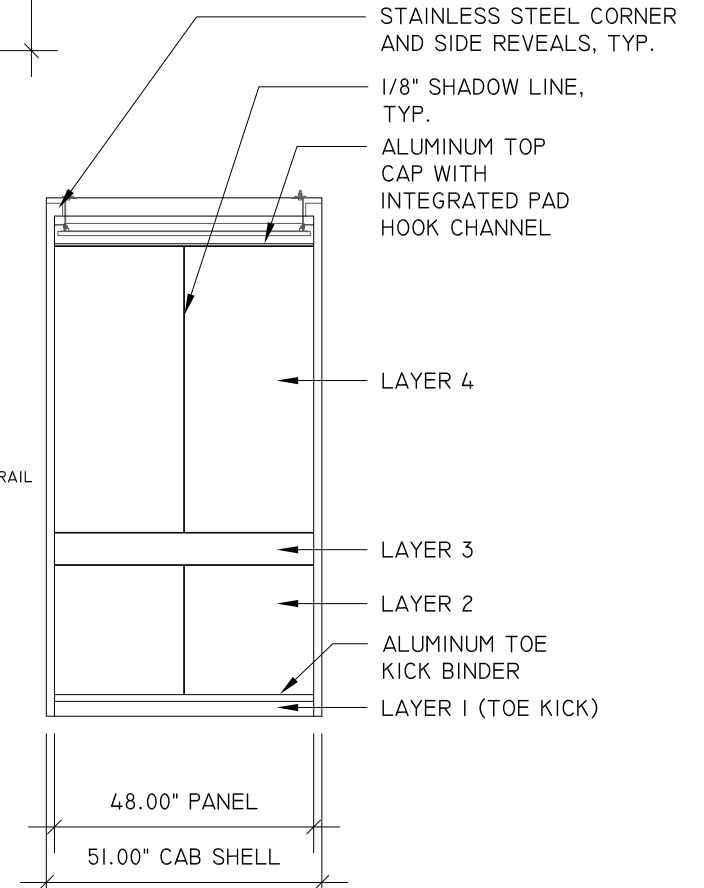
ALTERNATE CEILING STYLES



RIGHT WALL (looking out of cab)



BACK WALL



LEFT WALL (looking out of cab)



175 Titus Avenue
Warrington, PA 18976
P: 888-766-7834
F: 877-855-3714
www.SnapCab.com

Job Number:	Cab Weight: 2500
Cab ID:	Scale: NOT TO SCALE
Draftsman:	Drawing Date:
Revisions:	

Job Name:	Wall Panels: MILANO II
Ceiling: ISLAND CEILING	
Signature:	

NOTES: SEE MODEL SPACE FOR ALTERNATE CEILING NOTES.

Date: