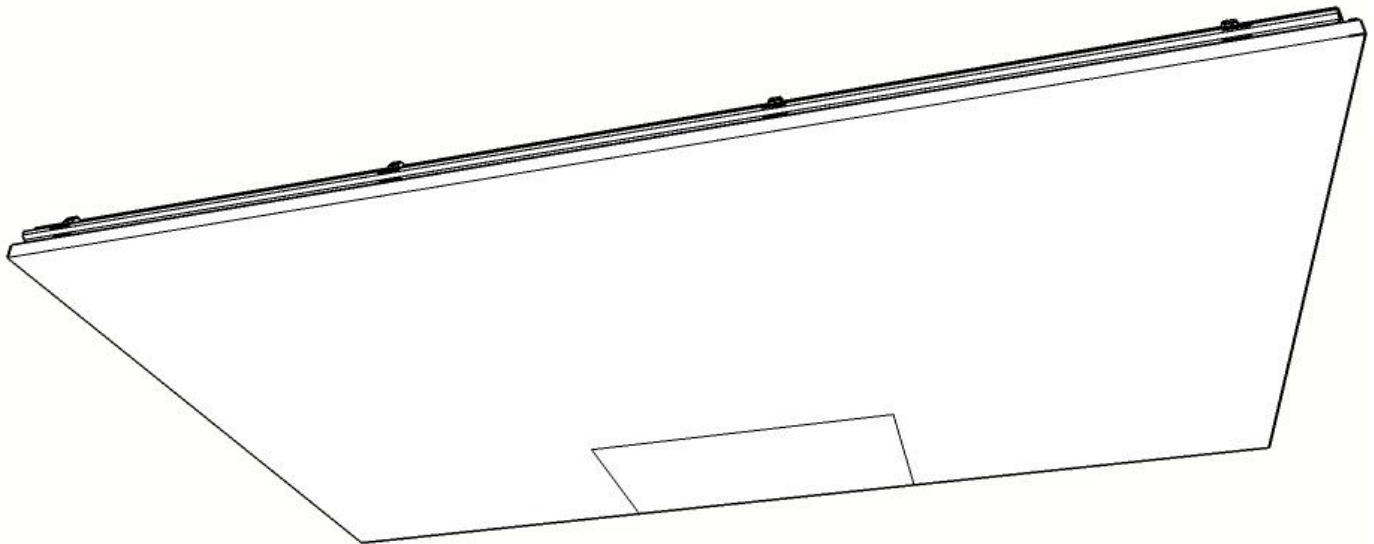


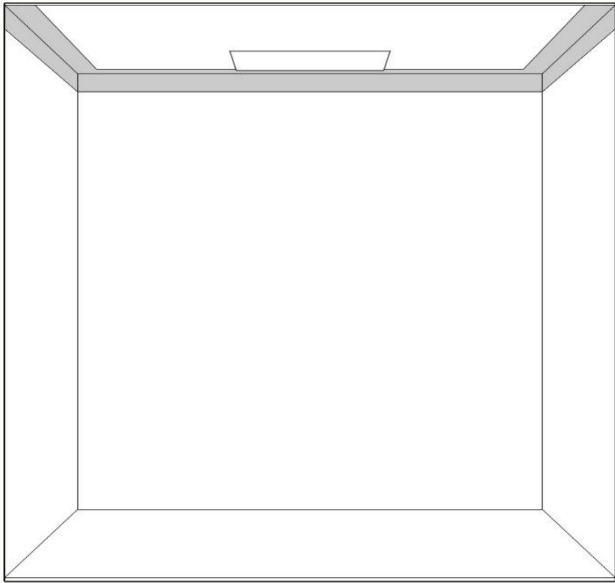
## Aurora Ceiling Installation Instructions

### **Installation - Tools Needed**

- All Necessary Safety Items
- Utility Knife
- (2) Tape Measures
- Step Ladder(s)
- MC Cutter & Wire Strippers
- Lineman Pliers
- Lock-tight
- Reciprocating Saw w/ Metal Blade
- Two (2) Cordless Drills/Drivers
- Phillips Head Bit
- 3/16" Drill Bit
- 1 1/4" Hole Saw Bit
- 7/16" (11mm) Socket & Ratchet or Wrench
- 9/16" (14mm) Deep Well Socket & Ratchet or Wrench
- Small Flat Tip Screwdriver
- Dust Pan and Brush

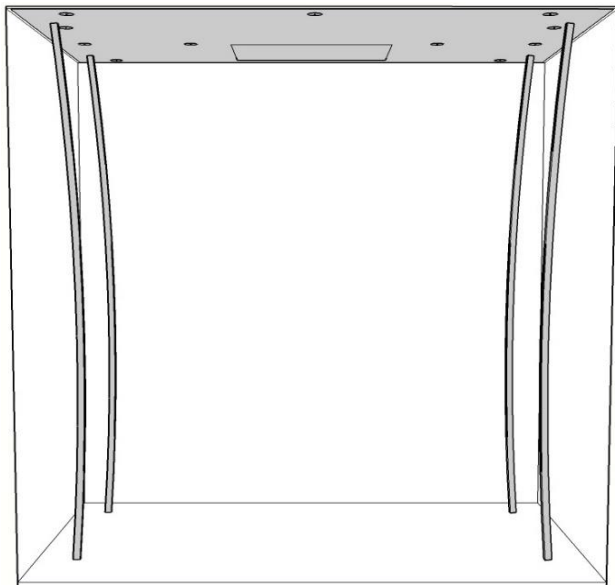
**IMPORTANT: Unpack and check shipment for any damage.  
Verify color, size and all parts before demolition.**





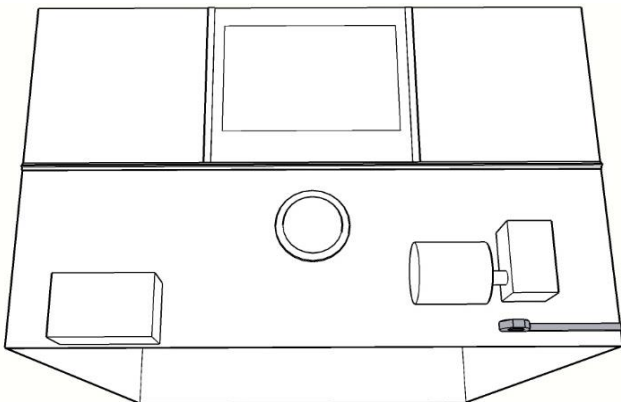
### 1. Prepare existing cab shell.

- Protect cab floor.
- If installing new wall panels, remove old wall panels and ceiling. Installation of new ceiling is recommended before installing new wall panels.
- If necessary, paint top 4" of all non-access walls and a 6"-8" border on canopy with matte black paint (not included).



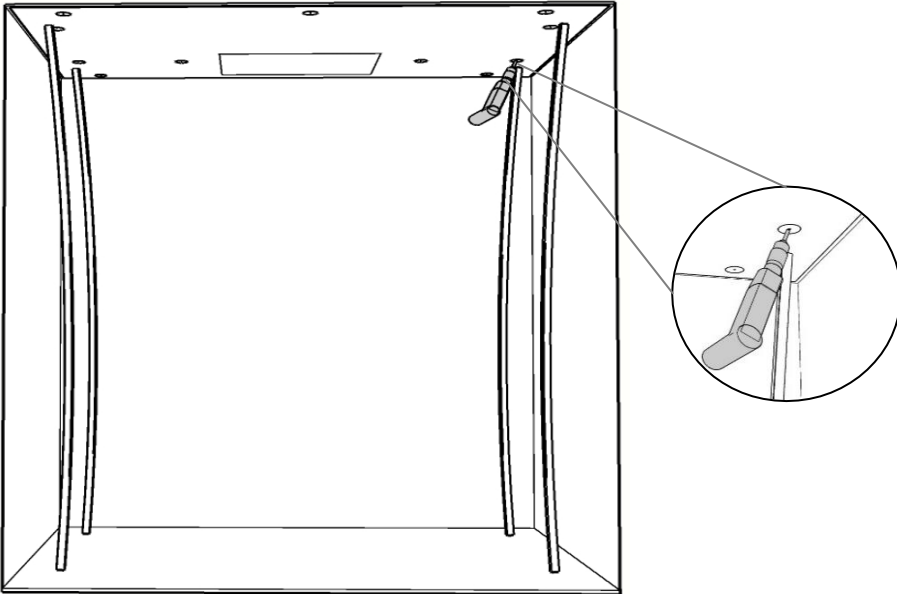
### 2. Temporarily mount 1/4" plywood ceiling template.

- Read instructions located on plywood template to determine upside, downside, front, and back, then position in cab.
- Retrieve supplied wood spring sticks. Depending on cab height, spring sticks come full length or two sections that must be attached together. Spring sticks should be 1/4" - 1/2" longer than dimension from floor to canopy.
- Lift template into place. Wedge spring sticks under template to hold it up.
- Center template, measuring to ensure equal gap on all four sides.



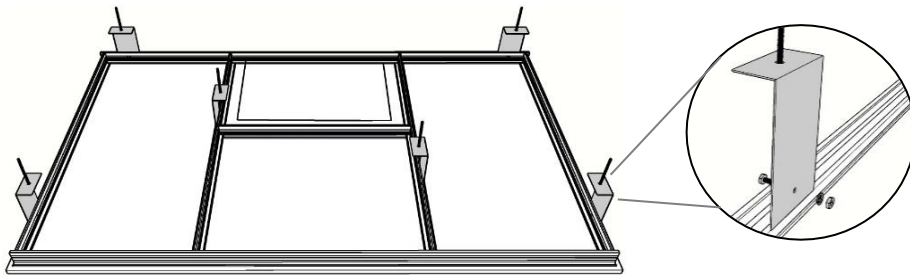
### 3. Determine where to drill attachment mounting holes in canopy.

- One installer take tape measure, drill, and 1 1/4" hole saw on top of canopy.
- Installer inside cab to communicate location of template holes to installer on top of canopy.
- Determine where holes can/cannot be drilled by viewing/measuring obstructions (door equipment, car top exit, etc.) on top of canopy.
- Multiple hole locations are shown on template to avoid drilling into components on top of canopy.



#### 4. Drill mounting holes into canopy.

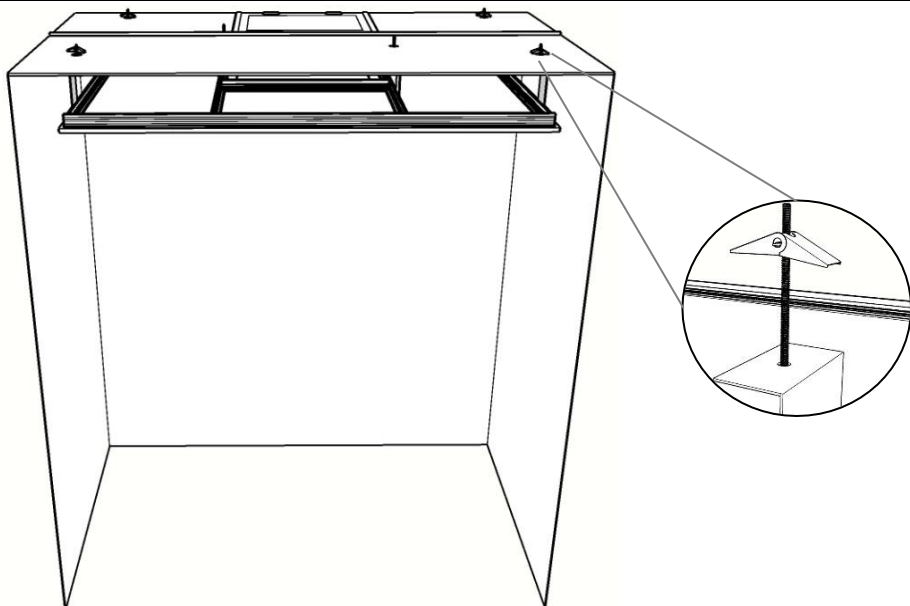
- Using selected template holes that avoid equipment on canopy, installer inside cab drill 3/16" pilot holes through canopy at each selected location. A minimum of four holes (one per corner) are necessary, but we recommend using all supplied legs.
- On the ceiling template, circle used holes with a sharpie.
- Remove spring sticks and template from cab.
- Installer on canopy drill using 1 1/4" hole saw on center of each pilot hole.
- Installer on canopy return to inside cab (leave tools on canopy at this time).



#### 5. Attach mounting legs to ceiling frame.

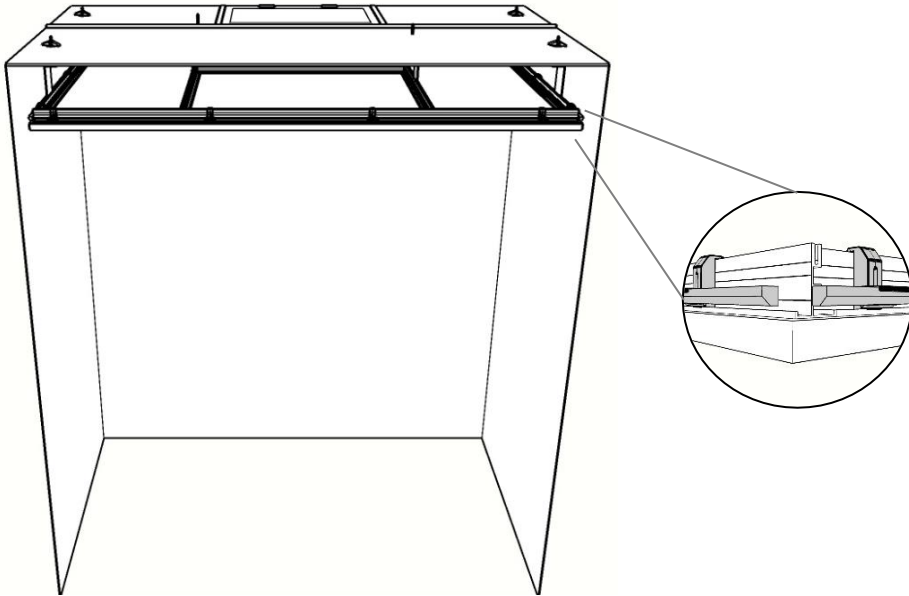
- Match ceiling template up to ceiling frame to assist with locating holes to mount ceiling legs onto frame.
- Position L-shaped legs to point in toward center of frame. Align hole in mounting leg with hole in ceiling frame.
- Use "Leg to Frame Hardware" to bolt L-shaped legs to perimeter of ceiling frame by inserting bolt from inside frame. Lock washer and 7/16" nut will be on outside of frame perimeter.
- Repeat for remaining legs.

**Note: To prevent damage, do not install perimeter lights before installing ceiling.**



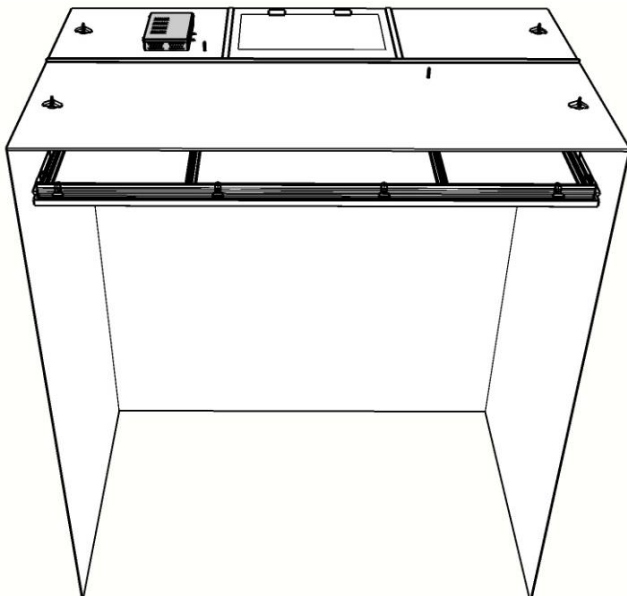
#### 6. Attach toggles and install ceiling

- Attach toggles to top of bolts on four corner ceiling legs. Toggles are used to temporarily hold ceiling in place.
- Position ceiling so car top exit will align with canopy. Carry ceiling in cab.
- Lift ceiling into place, allowing all toggles to push through and spring open on 1 1/4" holes.
- Once ceiling is hanging by toggles, one installer take on canopy: 9/16" Socket & Ratchet or Wrench, reciprocating saw w/ blade, lock tight, flat tip screwdriver, MC cutter & wire strippers, lineman pliers, "Leg to Canopy Hardware", (4) self tapping screws, power supply with instructions, plastic bushing, & Phillips bit.



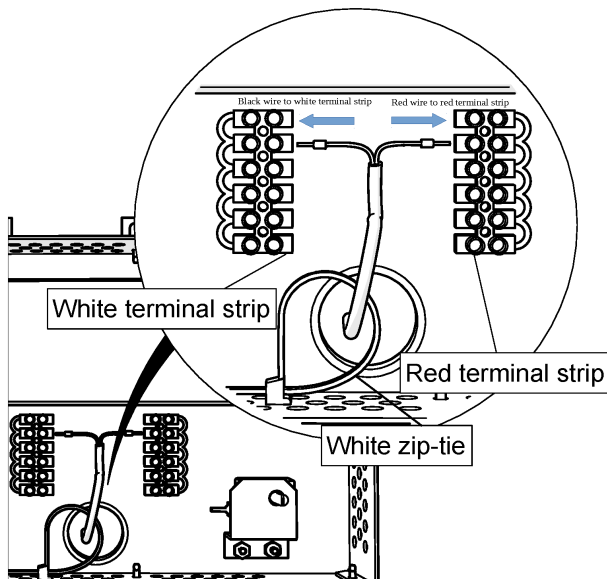
### 7. Attach clips to lights & connect lights to frame.

- Space clips throughout light fixture and press down to snap clip onto light. (2) clips for 12-48", (3) clips for 48.1-72", and (4) clips for 72.1-96" light length.
- Select length of light fixture that fits on each wall. Position light fixture so wire exits closest to escape hatch and light faces wall.
- With light fixture facing wall, lift up light between wall and edge of ceiling so plastic clip is just above ceiling frame.
- Push down light clip to snap onto ceiling frame. Repeat for all clips and light fixtures.



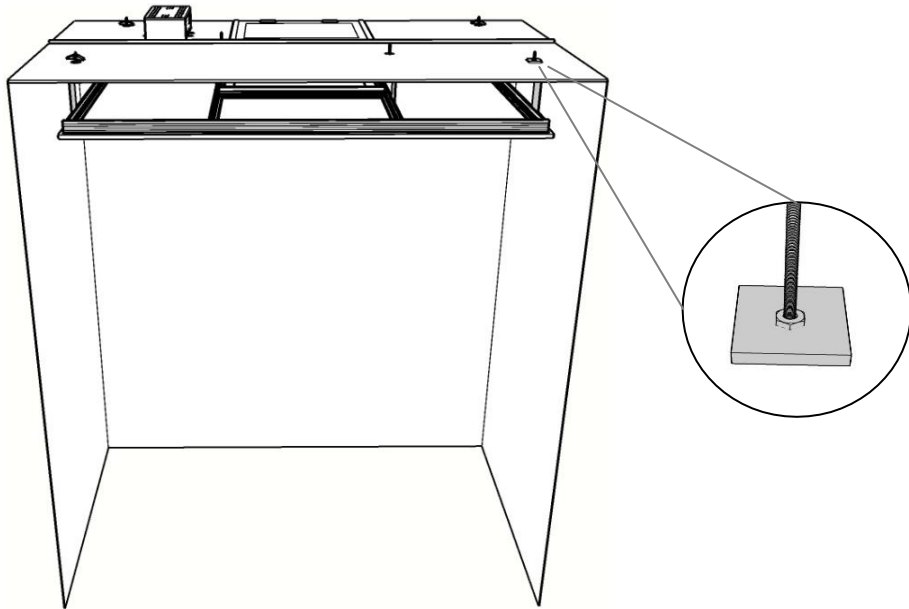
### 8. Install perimeter lights power supply and fish light wires up to canopy.

- Place supply box on canopy in accessible location. (**DO NOT** install power supply between drop ceiling & canopy. This will reduce unit life and void warranty.
- Drill 1 1/4" diameter hole through canopy where box will be mounted.
- Install plastic bushing in hole.
- Mount supply box to canopy with (4) supplied self-tapping screws.
- Fish light wires up through plastic bushing, into power supply box, through white pre-installed zip tie.



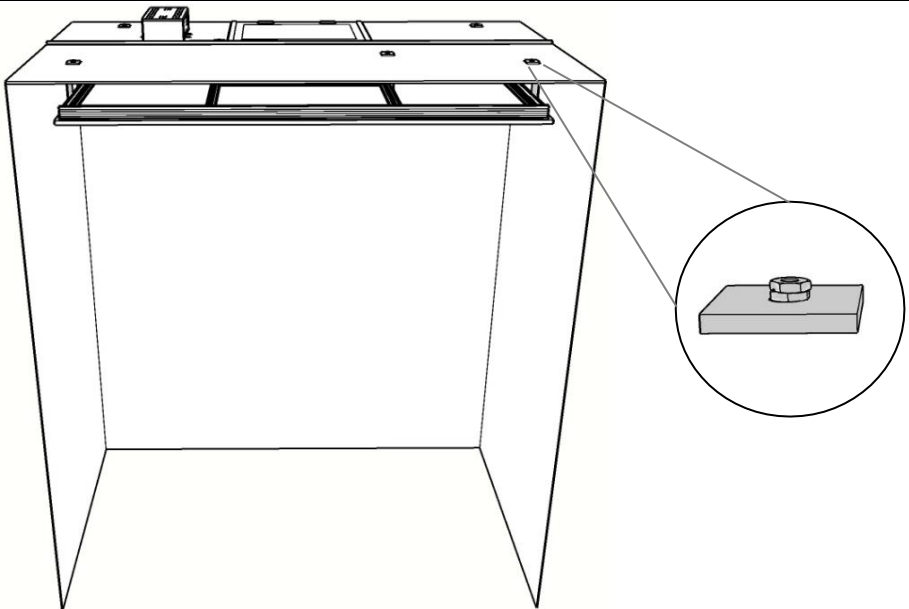
### 9. Connect light wires to power supply and make final power connection.

- **Make sure power is off before connecting building power to light power supply box.**
- Connect red wire (positive) to red terminal strip and black wire (negative) to white terminal strip. Repeat for all light wires. Leave some slack on wire harnesses inside power supply and close white zip-tie.
- Bring 120 VAC line into supply box. Connect hot and neutral wires to terminal strip. Connect ground wire to threaded stud. Screw on cover plate.



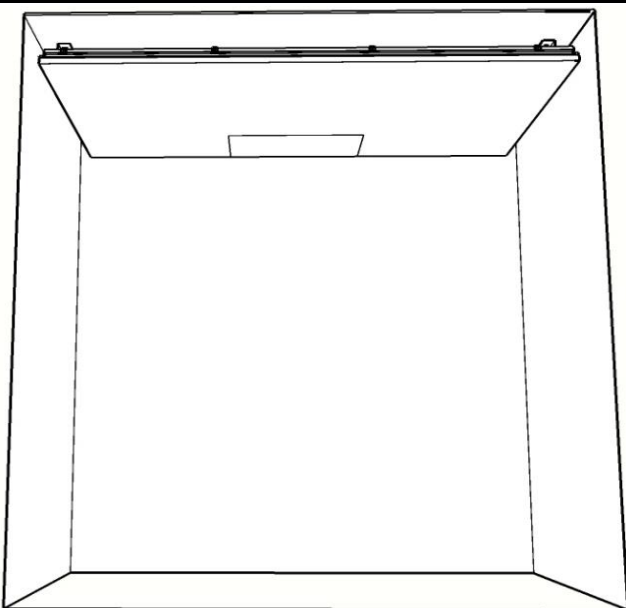
#### 10. Permanently attach ceiling to canopy.

- Installer inside cab push up one corner while installer on top of canopy removes toggle.
- Once toggle is removed, replace with supplied heavy-duty washer and 9/16" nut.
- To allow for final ceiling positioning, don't tighten nuts completely.
- Repeat for all remaining toggles/bolts.



#### 11. Position ceiling and tighten nuts.

- Installer inside cab measure and position ceiling into cab so an equal reveal surrounds ceiling.
- Once positioned, installer on canopy tighten all nuts. We suggest using lock tight on bolt threads and then double-nut bolts.
- Cut off excess bolt flush with nut.
- Installer on canopy return to inside cab with all tools.



#### 12. Turn on power and clean.

- Turn building power on. Replace car top exit if it was previously removed.
- If wall panels are included with this project, move on to wall panel installation instructions.
- If a ceiling only, remove any remaining packing material or protective film and dispose of debris.