

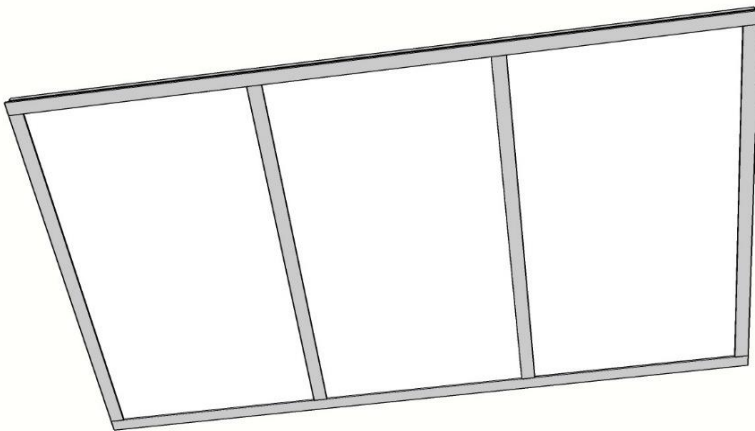
Economy & Frame Ceiling Installation Instructions

Installation - Tools Needed

- All Necessary Safety Items
- Utility Knife
- (2) Tape Measures
- Step Ladder(s)
- MC Cutter & Wire Strippers
- Lineman Pliers
- Lock-tight
- Reciprocating Saw w/ Metal Blade
- Two (2) Cordless Drills/Drivers
- Phillips Head Bit
- Dust Pan and Brush
- (2) 7/16" (11mm) Sockets & Ratchets
Alternative (2) Wrenches or (1) Socket & Ratchet and (1) Wrench

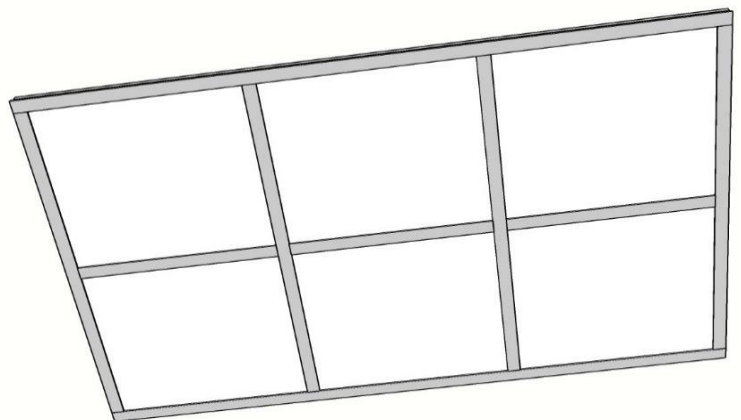
**IMPORTANT: Unpack and check shipment for any damage.
Verify color, size and all parts before demolition.**

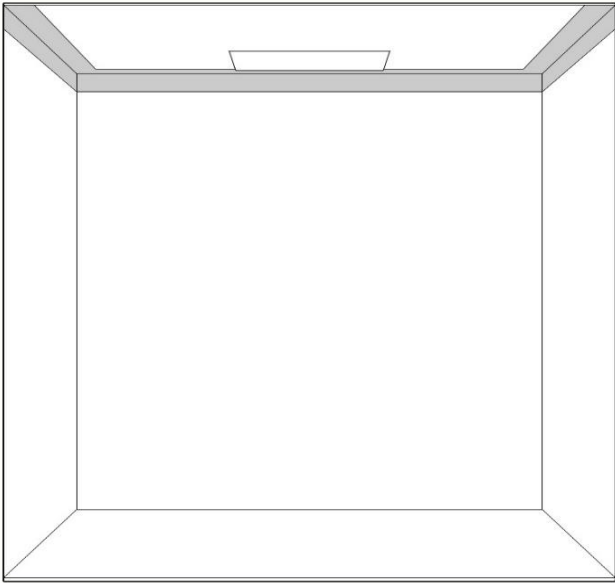
Helpful installation videos are located here:
<https://elevator.snapcab.com/pages/installation-instructions>



Economy Ceiling

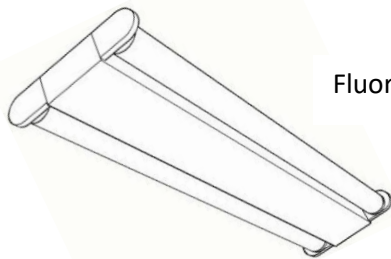
Frame Ceiling



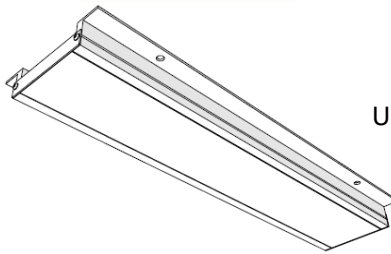


1. Prepare existing cab shell.

- Protect cab floor.
- If installing new wall panels, remove old wall panels and ceiling. Installation of new ceiling is recommended before installing new wall panels.
- If necessary, paint top 4" of all non-access walls and a 6"-8" border on canopy with matte black paint (not included).



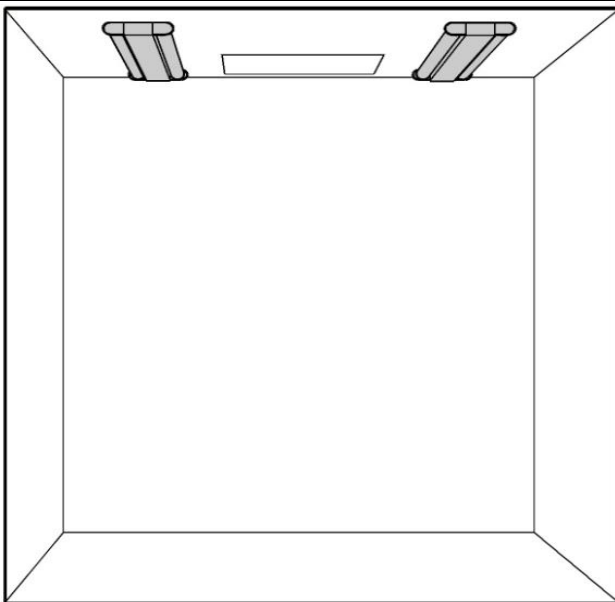
Fluorescent or LED



UniLED

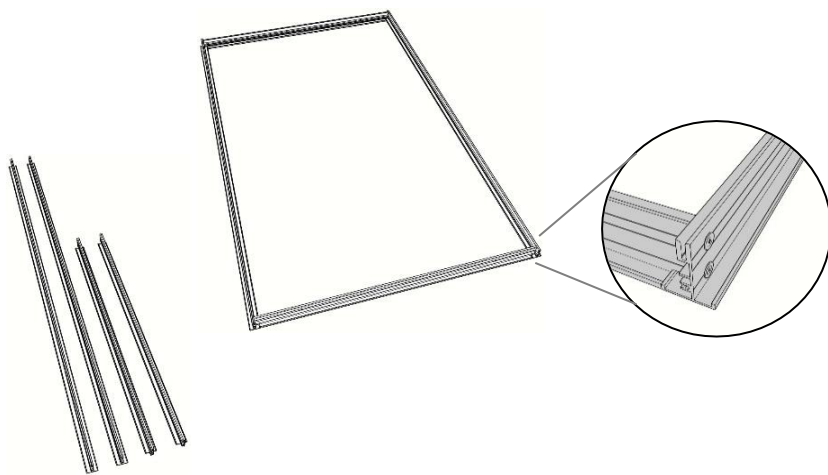
2. Determine type of new lighting, if included.

- If retaining existing lights, proceed to step 4.
- If installing new lights, determine if fluorescent, LED, or "UniLED".
- With fluorescent or LED lights, proceed to step 3.
- With UniLED lights, follow installation instructions supplied with light fixtures and power supply. Then proceed to step 4.
- When installing lights, position light fixtures on canopy so they will evenly light cab.
- We recommend to remove the car top exit for ease of installation.



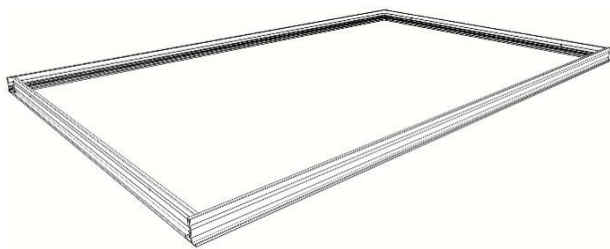
3. If needed, assemble light kit and install.

- With fluorescent lights, assemble light kit. Mount light sockets and metal end caps on fixtures.
- If necessary, drill hole through canopy for light wiring.
- Fasten fixtures to canopy w/ supplied hardware.
- Connect wiring between multiple fixtures.
- **Make sure power is off.**
- Connect hot, neutral, and ground circuit wires.
- Install fixture covers and install supplied light bulbs. Turn on power.



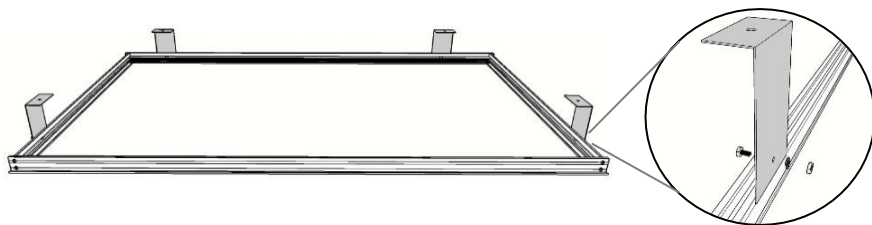
4. Assemble "Frame Perimeter".

- Outside the elevator, on a protected floor, lay frame perimeter pieces face down with label side faced out.
- Ensure ends are even and face of rail and cross member are flush. Use "Frame Assembly Hardware" to assemble perimeter pieces together.
- Install and tighten bottom screw first through rail and into cross member followed by top screw.
- Repeat for all corners



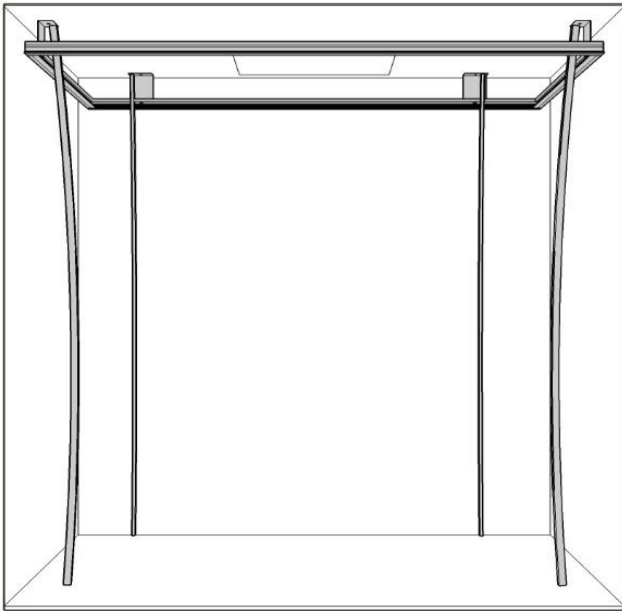
5. Determine where to attach mounting legs to ceiling frame.

- Based on equipment on canopy, select appropriate holes on ceiling frame to mount legs to frame.
- Ceiling size will determine how many mounting legs are necessary. Most capacities 5,000 lbs. or less will only require four (4) mounting legs.



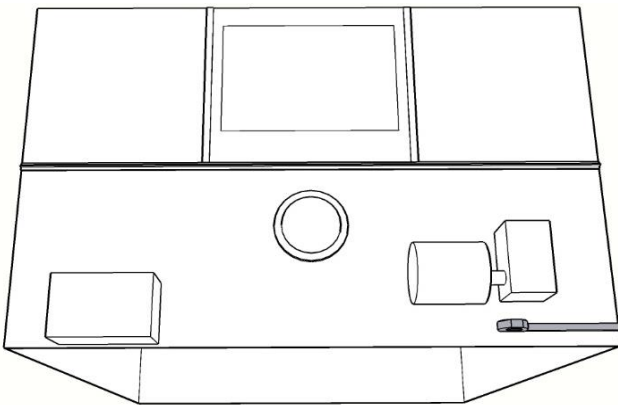
6. Attach mounting legs to ceiling frame.

- Position L-shaped legs to point in toward center of frame.
- Align hole in mounting leg with hole in ceiling frame. If mounting location will interfere with equipment above canopy, relocate leg (using it as a template) and drill another 5/16" mounting hole in frame.
- Use "Leg to Frame Hardware" to bolt L-shaped legs to perimeter of ceiling frame by inserting bolt from inside frame. Lock washer and 7/16" nut will be on outside of frame perimeter.
- Repeat for remaining legs.



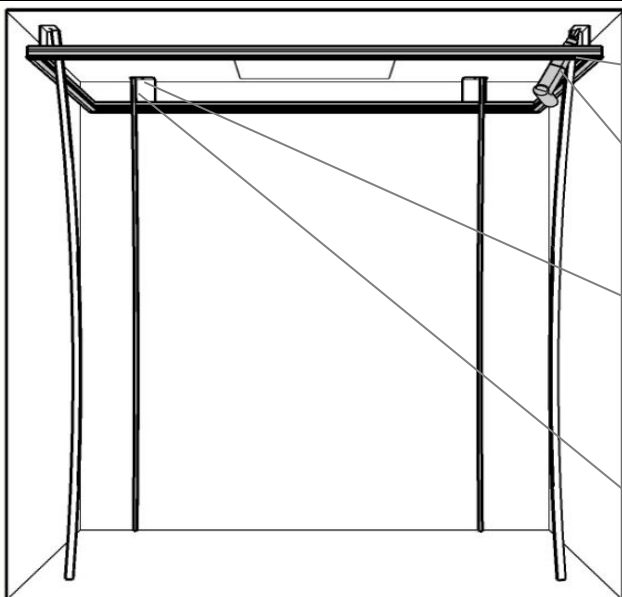
7. Prepare to attach ceiling to canopy

- Retrieve supplied wood spring sticks. Depending on ceiling size, spring sticks come in full length or two sections that must be attached together. Spring sticks should be 1/4" - 1/2" longer than the dimension from floor to canopy.
- Lift ceiling into place. Wedge spring sticks under mounting legs to temporarily hold up frame.
- Position ceiling frame with even gap between frame and walls. With a measuring tape, ensure equal ceiling gap on all sides.



8. Measure obstructions on canopy.

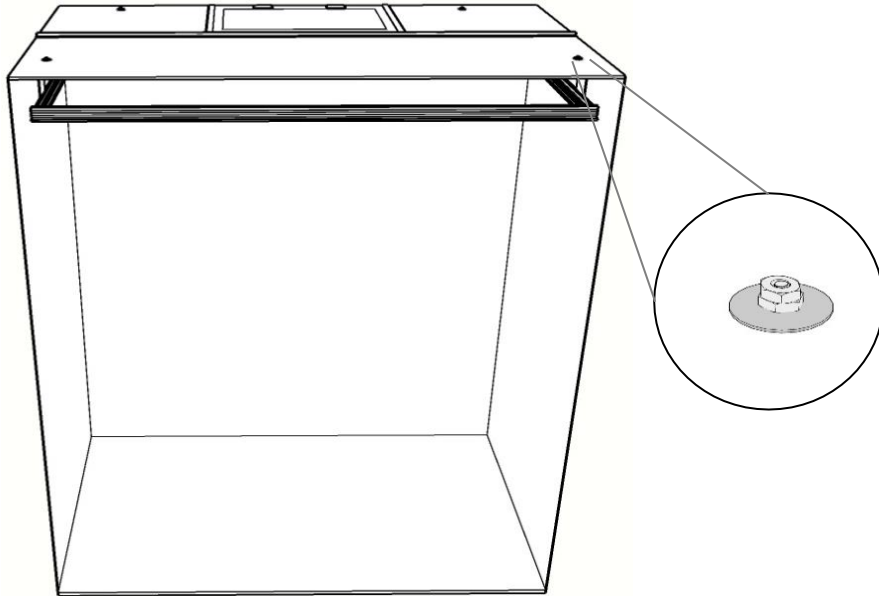
- One installer take only washers and nuts from "Leg to Canopy Hardware, tape measure, reciprocating saw with metal blade, lock-tight, and 7/16" (11mm) socket & ratchet or wrench on top of canopy.
- Installer inside cab communicate location of mounting leg holes to installer on top of cab. Avoid obstructions (door equipment, car top exit, etc.) on top of canopy before drilling.



Drill new hole as needed.

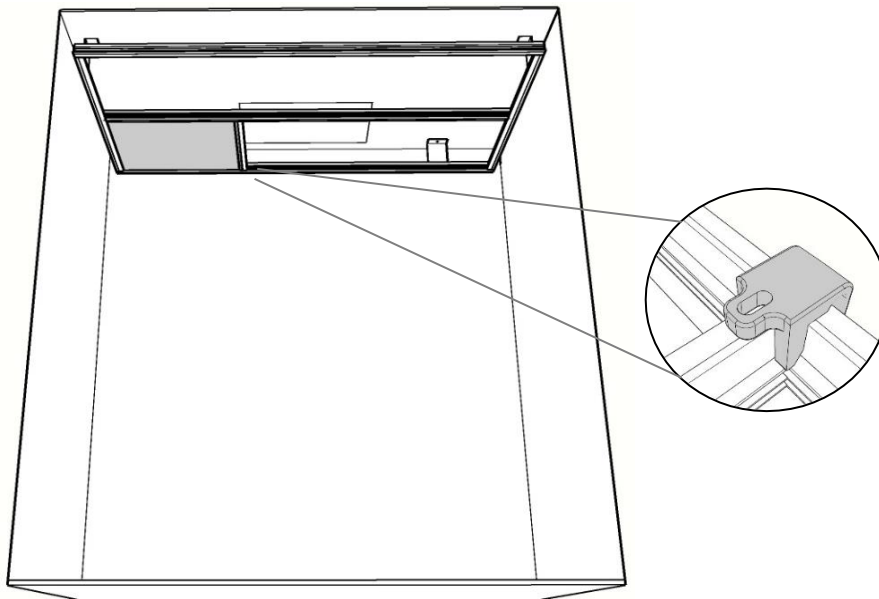
9. Drill holes to attach frame to canopy.

- Ensure no equipment is located above mounting leg holes. If a leg is located so it cannot be attached, mount other legs first, then reposition mounting leg elsewhere on frame (drill new 5/16" hole as needed).
- Once clear, installer inside cab drill a 5/16" hole through mounting leg hole, through canopy.
- Repeat for each mounting leg.



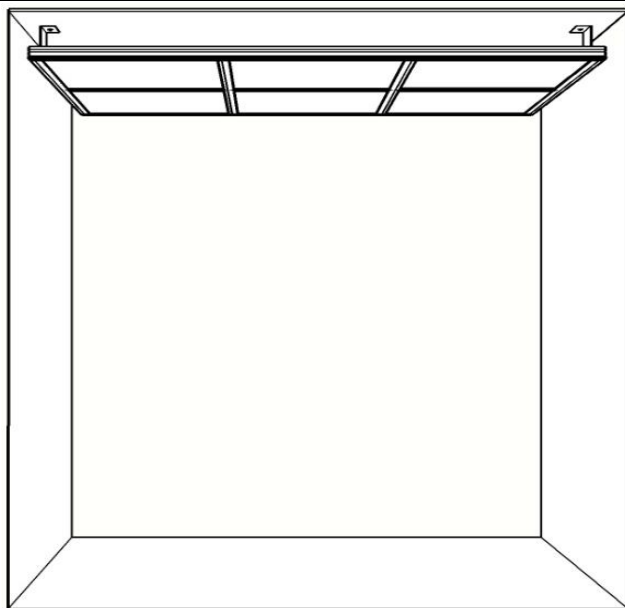
10. Attach frame to canopy.

- Installer inside cab push bolt through first hole while installer on canopy attaches washer and nut.
- Repeat steps until all mounting legs are attached. We suggest using lock tight on the bolt threads and then double-nut bolts.
- Cut off excess bolt flush with nut.
- Once all mounting legs are attached, installer on canopy can return to inside cab.
- Replace car top exit if it was previously removed.



11. Install diffusers, longer "Frame Cross Members", short Frame Cross Members, & clips

- Remove protective film from diffusers. Start at one side of ceiling. Install ceiling diffuser followed by longer cross member.
- Clips are used to hold short cross members near car top exit in place. Place clip over intersection, along perimeter, indicated with "Install Clip Here" stickers. Push clip down onto frame to lock into place.
- Continue to install cross members and diffusers consecutively, working toward the other side of the ceiling.
- Repeat until all cross members and ceiling diffusers are installed. Remove protective coating from ceiling frame.



12. Clean.

- If wall panels are included with this project, move on to wall panel installation instructions.
- If a ceiling only, remove any remaining packing material or protective film and dispose of debris.