

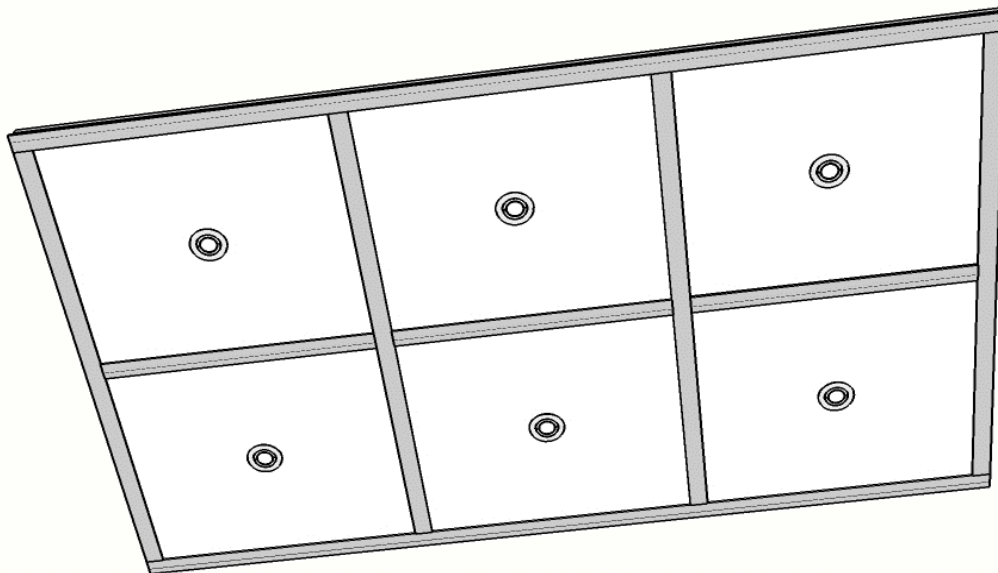
Modular Ceiling Installation Instructions

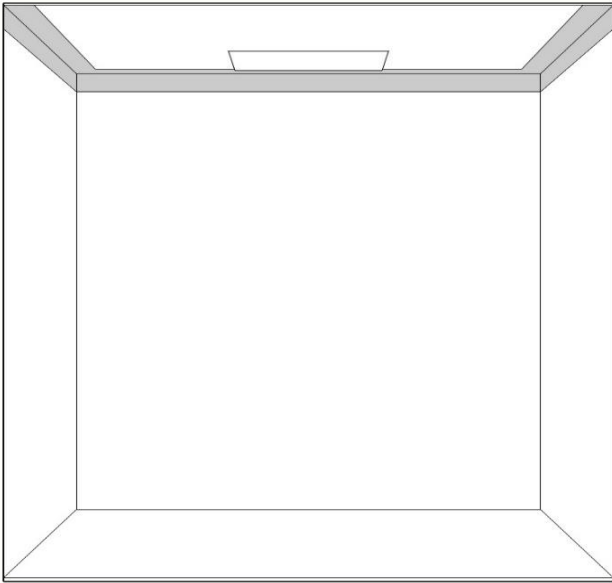
Installation - Tools Needed

- All Necessary Safety Items
- Utility Knife
- (2) Tape Measures
- Step Ladder(s)
- MC Cutter & Wire Strippers
- Lineman Pliers
- Lock-tight
- Reciprocating Saw w/ Metal Blade
- Two (2) Cordless Drills/Drivers
- Phillips Head Bit
- 1 1/4" Hole Saw Bit
- Dust Pan and Brush
- (2) 7/16" (11mm) Sockets & Ratchets
Alternative (2) Wrenches or (1) Socket & Ratchet and (1) Wrench

**IMPORTANT: Unpack and check shipment for any damage.
Verify color, size and all parts before demolition.**

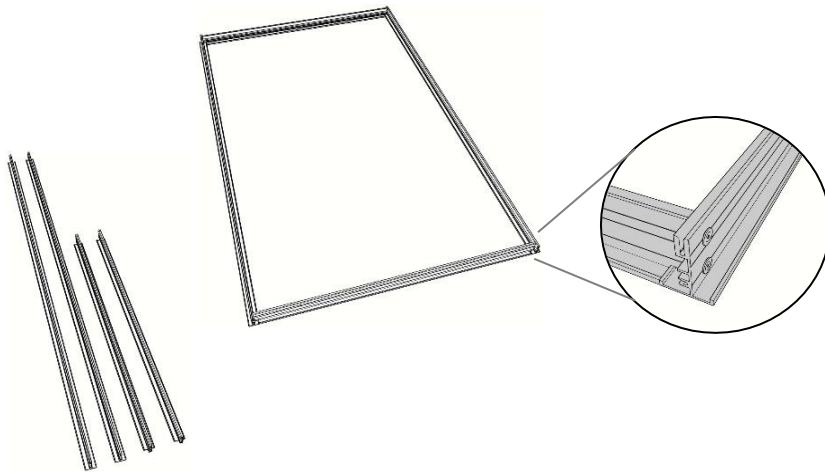
**Helpful installation videos are located here:
<https://elevator.snapcab.com/pages/installation-instructions>**





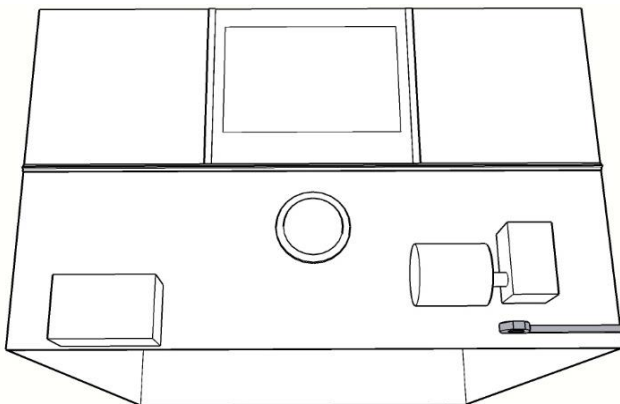
1. Prepare existing cab shell.

- Protect cab floor.
- If installing new wall panels, remove old wall panels and ceiling. Installation of new ceiling is recommended before installing new wall panels.
- If necessary, paint top 4" of all non-access walls and a 6"-8" border on canopy with matte black paint (not included).
- One installer can begin step 2 while the other prepares for step 3.



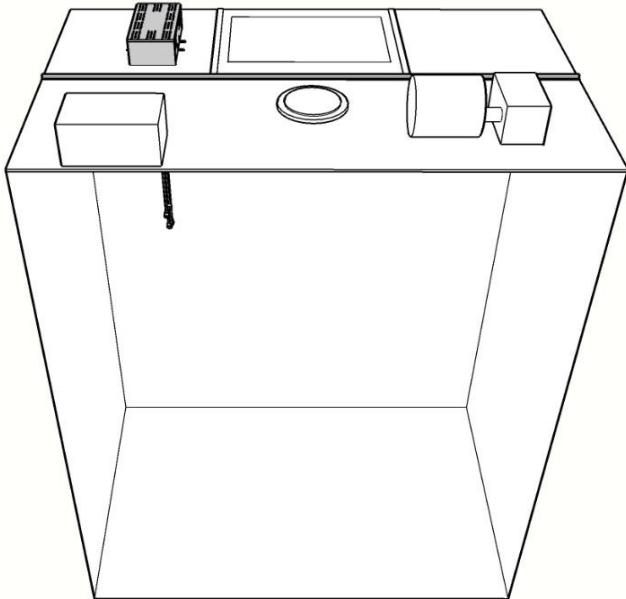
2. Assemble "Frame Perimeter".

- Outside the elevator, on a protected floor, lay frame perimeter pieces face down with label side faced out.
- Ensure ends are even and face of rail and cross member are flush. Use "Frame Assembly Hardware" to assemble perimeter pieces together.
- Install and tighten bottom screw first through rail and into cross member followed by top screw.
- Repeat for all corners



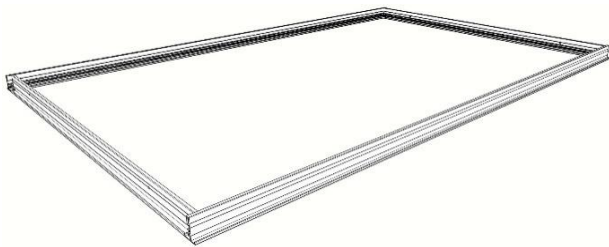
3. Measure obstructions on canopy.

- One installer take power supply with mounting hardware, plastic bushing, tape measure, drill, Phillips head bit, and 1 1/4" hole saw on top of canopy.
- We recommend to remove the car top exit for ease of installation.
- Determine where ceiling mounting holes can/cannot be drilled by viewing/measuring obstructions (door equipment, car top exit, etc.) on top of canopy.
- Installer on canopy communicate location of equipment to installer inside cab.



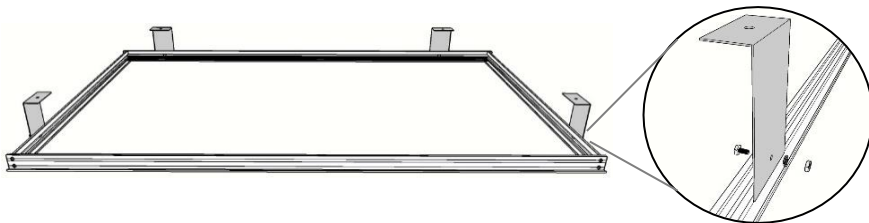
4. Install down-light power supply box.

- Place supply box on canopy in accessible location. (**DO NOT** install power supply between drop ceiling & canopy. This will reduce unit life and void warranty.
- Drill 1 1/4" diameter hole through canopy where box will be mounted.
- Install plastic bushing in hole. Insert wiring harness through plastic bushing.
- Mount supply box to canopy with (4) supplied self-tapping screws.
- **DO NOT** supply power to box at this time. For more details, see installation instructions in light kit box.
- Installer on canopy return to inside cab (leave tools on canopy for now).



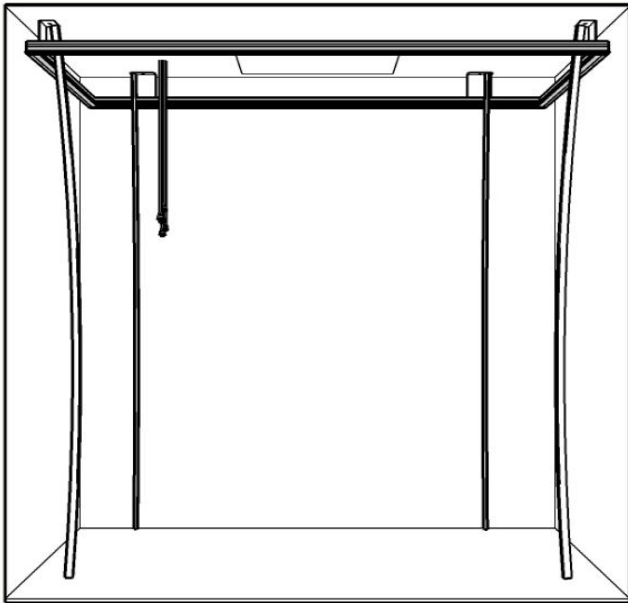
5. Determine where to attach mounting legs to ceiling frame.

- Based on equipment on canopy, select appropriate holes on ceiling frame to mount legs to frame.
- Ceiling size will determine how many mounting legs are necessary. Most capacities 5,000 lbs. or less will only require four (4) mounting legs.



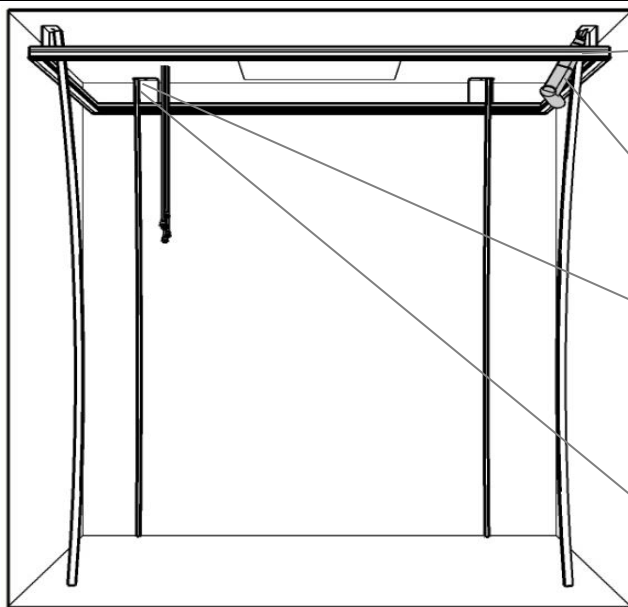
6. Attach mounting legs to ceiling frame.

- Position L-shaped legs to point in toward center of frame.
- Align hole in mounting leg with hole in ceiling frame. If mounting location will interfere with equipment above canopy, relocate leg (using it as a template) and drill another 5/16" mounting hole in frame.
- Use "Leg to Frame Hardware" to bolt L-shaped legs to perimeter of ceiling frame by inserting bolt from inside frame. Lock washer and 7/16" nut will be on outside of frame perimeter.
- Repeat for remaining legs.



7. Prepare to attach ceiling to canopy

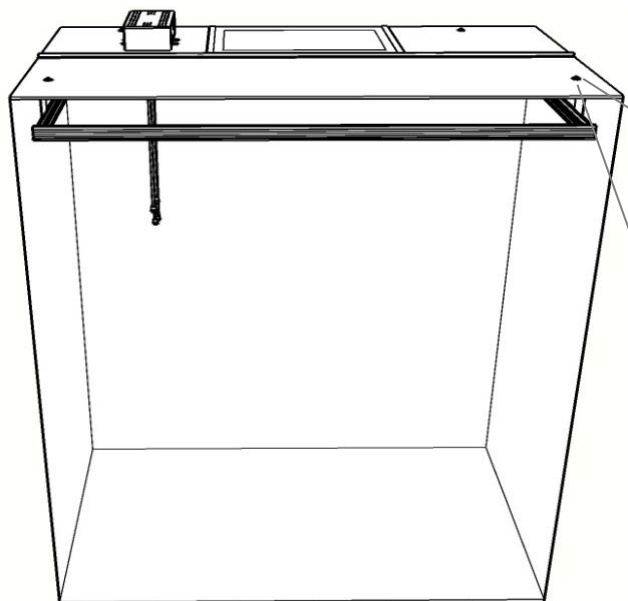
- Retrieve supplied wood spring sticks. Depending on ceiling size, spring sticks come in full length or two sections that must be attached together. Spring sticks should be 1/4" - 1/2" longer than the dimension from floor to canopy.
- Lift ceiling into place. Wedge spring sticks under mounting legs to temporarily hold up frame.
- Position ceiling frame with even gap between frame and walls. With a measuring tape, ensure equal ceiling gap on all sides.



Drill new hole as needed.

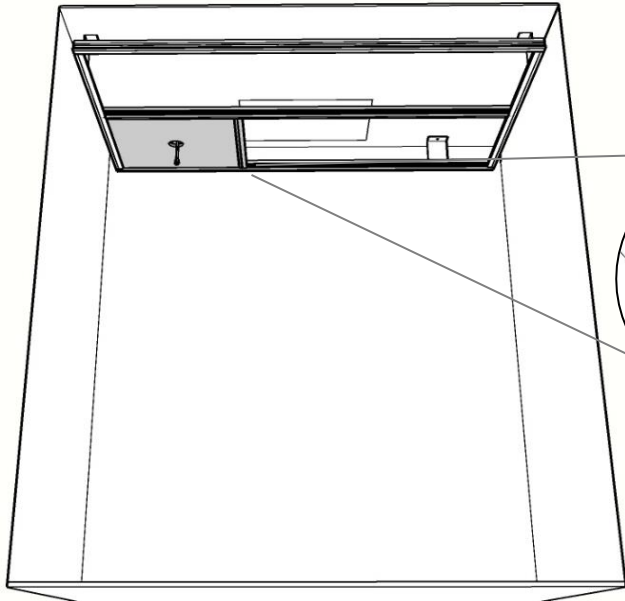
8. Drill holes to attach frame to canopy.

- One installer take only washers and nuts from "Leg to Canopy Hardware" reciprocating saw with metal blade, lock-tight, and 7/16" (11mm) socket & ratchet or wrench on top of canopy.
- Ensure no equipment is located above mounting leg holes. If a leg is located so it cannot be attached, mount other legs first, then reposition mounting leg elsewhere on frame (drill new 5/16" hole as needed).
- Once clear, installer inside cab drill a 5/16" hole through mounting leg hole, through canopy.
- Repeat for each mounting leg.



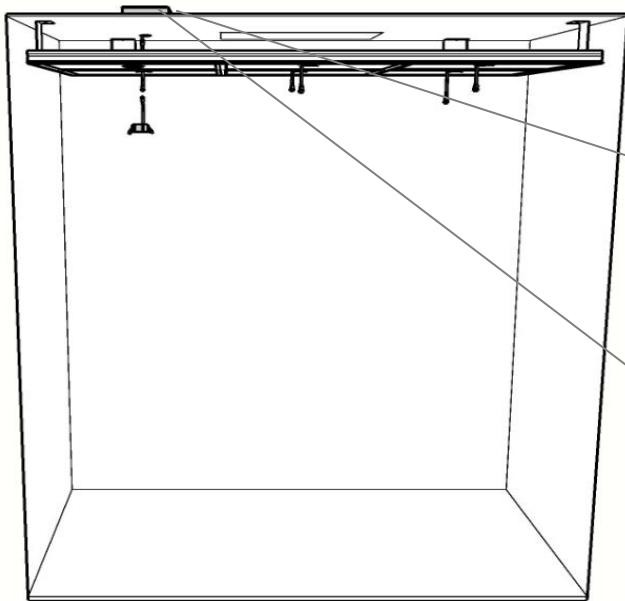
9. Attach frame to canopy and prepare ceiling tiles for install.

- Installer inside cab push bolt through first hole while installer on canopy attaches washers and nut.
- Repeat steps until all mounting legs are attached. We suggest using lock tight on the bolt threads and then double-nut bolts.
- Cut off excess bolt flush with nut.
- On ceiling tiles, peel back protective coating around light holes.
- Note: Tile(s) w/ handles will install below car top exit (marked w/ "Hatch Location" sticker).
- Note: Ceiling frame member located near car top exit may be attached to ceiling tile.



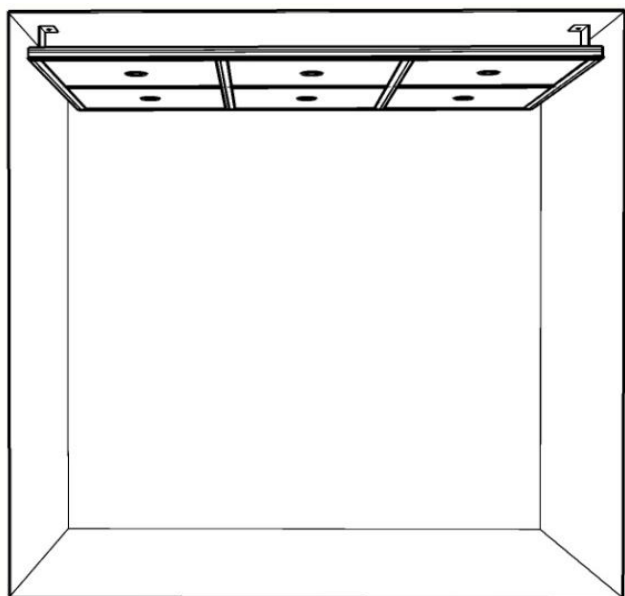
10. Install tiles, longer "Frame Cross Members", short Frame Cross Members, and clips.

- Start at one side of ceiling. Install ceiling tile followed by longer cross member. Feed one light wire through each tile hole (those w/ red connectors closest to front of cab).
- Continue to install cross members and tiles until all tiles without handles are installed.
- Clips are used to hold short cross members near car top exit in place. Place clip over intersection, along perimeter, indicated with "Install Clip Here" stickers. Push clip down onto frame to lock into place.
- Install Rubber U-Channels on frame members (prevents scratching face of panels) in locations that allow storage of hatch panels.
- Install tile(s) w/ handles below escape hatch.



11. Connect downlights & power to supply box.

- Connect plugs from harness and light fixture, pull back springs on light fixture, insert fixture into ceiling hole, gently release springs, push fixture into place. Repeat until each light fixture is installed.
- After all down-lights are connected, **make sure power is off before connecting building power to light power supply box.**
- Bring 120 VAC line into box. Connect hot and neutral wires to terminal strip. Connect ground wire to threaded stud.
- Only if using a key switch or timeout circuit, remove orange metal jumper. Otherwise, leave jumper in place.
- Continue to follow wiring diagram found in light kit for further instructions.



12. Turn on power and clean.

- After completing electrical connections and closing up supply box, turn building power on. Replace car top exit if it was previously removed.
- If wall panels are included with this project, move on to wall panel installation instructions.
- If a ceiling only, remove any remaining packing material or protective film and dispose of debris.