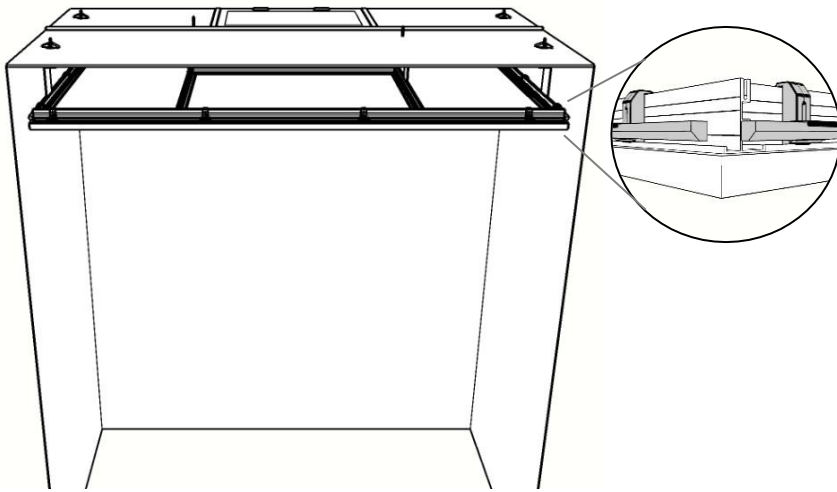


Perimeter Lights Supplemental Installation Instructions

Installation - Tools Needed

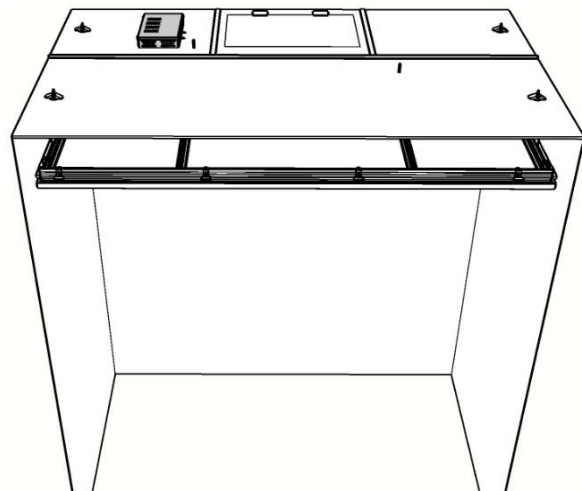
- Small Flat Tip Screwdriver
- Lineman Pliers
- Cordless Drill/Driver
- MC Cutter & Wire Strippers
- Phillips Head Bit
- 1 1/4" Hole Saw Bit

Note: To prevent damage, do not install perimeter lights before installing the ceiling.



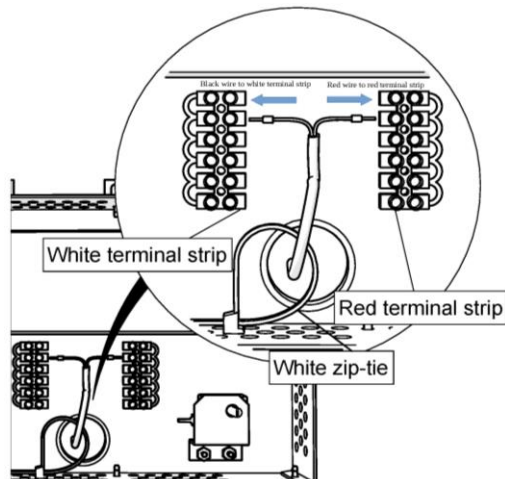
1. Attach clips to lights & connect lights to frame

- Space clips throughout light fixture and press down to snap clip onto light. (2) clips for 12-48", (3) clips for 48.1-72", and (4) clips for 72.1-96" light length.
- Select length of light fixture that fits on each wall. Position light fixture so wire exits closest to escape hatch and light faces wall.
- With light fixture facing wall, lift up light between wall and edge of ceiling so plastic clip is just above ceiling frame.
- Push down light clip to snap onto ceiling frame. Repeat for all clips and light fixtures.



2. Install perimeter lights power supply box and fish light wires up to canopy.

- Place supply box on canopy in accessible location. (**DO NOT** install power supply between drop ceiling & canopy. This will reduce unit life and void warranty.
- Drill 1 1/4" diameter hole through canopy, under harness output hole on bottom of supply box. Install plastic bushing in hole.
- Mount supply box to canopy with (4) supplied self-tapping screws.
- Fish light wires up through plastic bushing, into supply box, through white pre-installed zip tie.



3. Connect light wires to power supply and make final power connection.

- **Make sure power is off before connecting building power to light power supply box.**
- Connect red wire (positive) to red terminal strip and black wire (negative) to white terminal strip. Repeat for all light wires. Leave some slack on wire harnesses inside power supply and close white zip-tie.
- Bring 120 VAC line into supply box. Connect hot and neutral wires to terminal strip. Connect ground wire to threaded stud. Screw on cover plate