

Horizontal/Vertical Wall Panel Installation Instructions

Demolition - Common Tools Needed

- Reciprocating Saw
- Allen Wrench Set
- Hole Saw Set
- Pry Bar
- Dust Pan and Brush
- Putty Knife / Scraper
- Hex Bit Socket Set
- All Necessary Safety Items

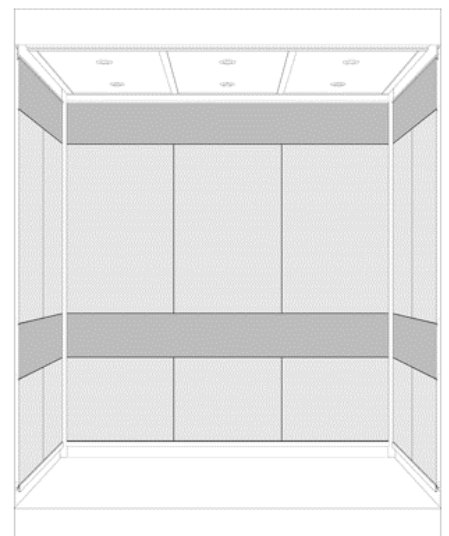
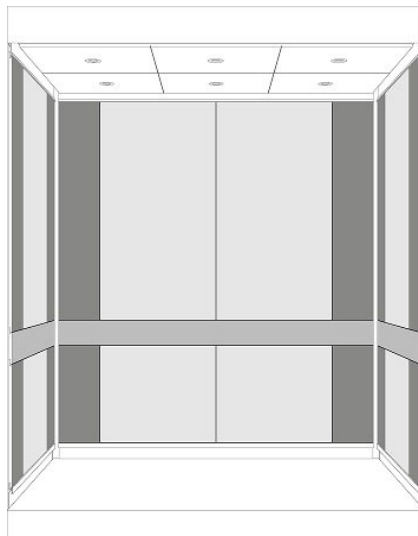
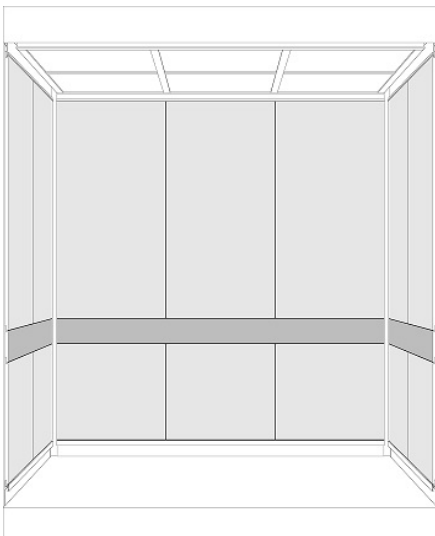
Installation - Tools Needed

- Utility Knife
- Painters tape
- 10.5 oz. Caulking Gun
- Tape Measure
- Two (2) 18V Cordless Drills/Drivers
- Framing Square (18" or larger)
- Step Ladder
- All Necessary Safety Items

Optional (helpful item)

- Drywall Dolly (to transport panels)

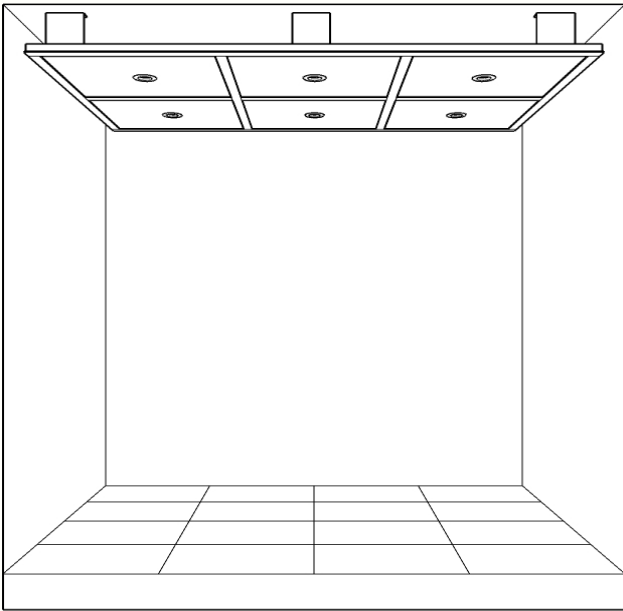
These instructions are applicable for the horizontal/vertical panel designs shown below. The capacity may increase/decrease the quantity of panels to install.



Scan for video

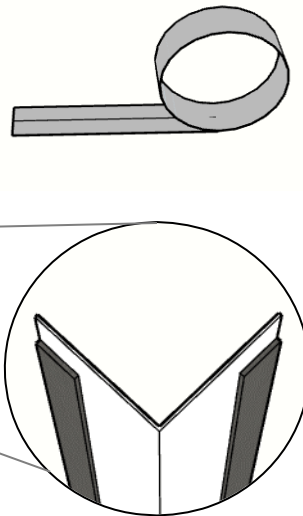
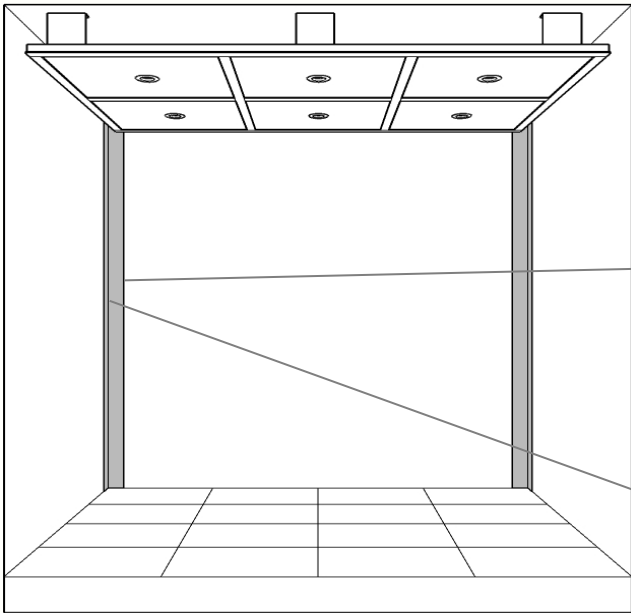
For your Safety and Ease of installation, please watch our installation video.

elevator.snapcab.com/pages/installation-instructions



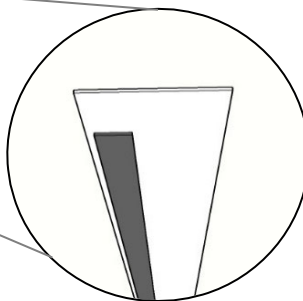
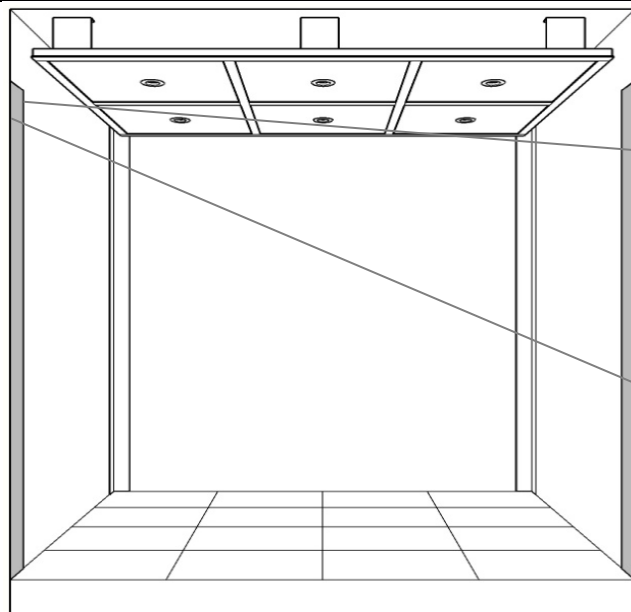
1. Prepare existing cab shell.

- Protect cab floor.
- Remove old cab interior walls.
- If installing a new ceiling, remove old ceiling and install new ceiling before proceeding (see separate ceiling instructions).
- Remove loose debris, paint, grease, and clean where reveals and toe kicks will be installed (see steps 2-5).
- If necessary, paint top 4" of all non-access walls with matte black paint (not included).



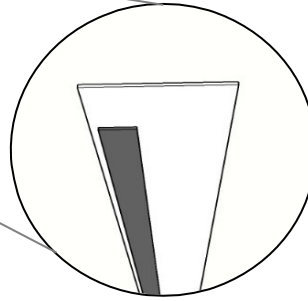
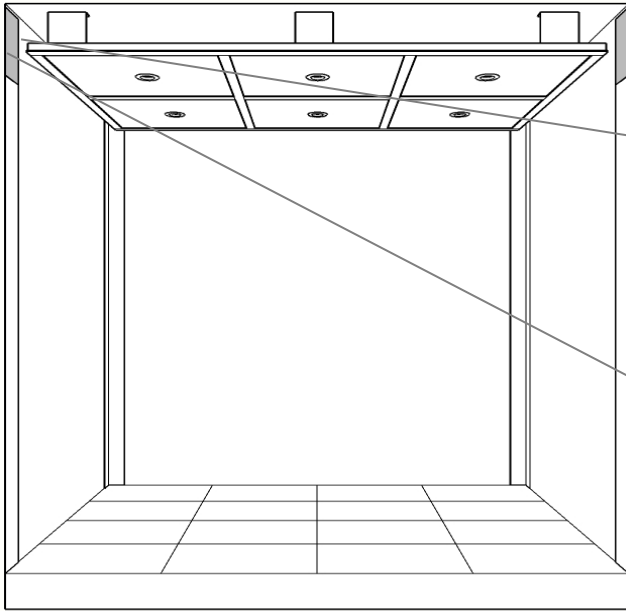
2. Unroll, fold and Install Corner Reveals (not applicable with front & rear cabs).

- Corner Reveals are designed to sit about 1" below canopy to avoid trimming.
- Unroll reveals and lay on flat surface.
- Fold reveal 90 degrees.
- Wrap both ends and middle with painters tape (tape helps hold reveal at right angle).
- Dry fit.
- Peel backing from adhesive tape.
- Put end of reveal on floor.
- Break painters tape.
- Seat reveal firmly against wall.
- Remove protective film.



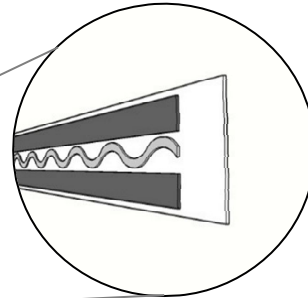
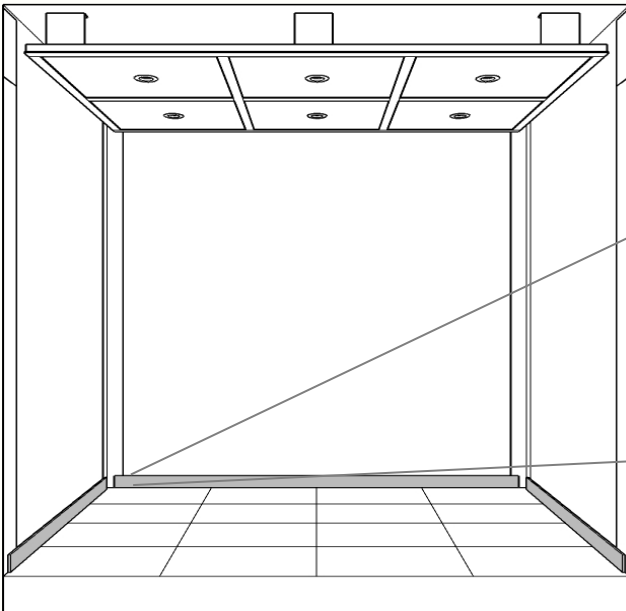
3. Install lower side wall Flat Reveals.

- Dry fit.
- Peel backing from tape.
- With taped edge closest to return wall, put end of reveal on floor.
- Seat reveal firmly against wall.
- Remove protective film.



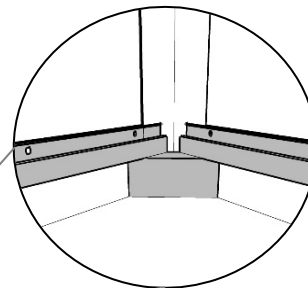
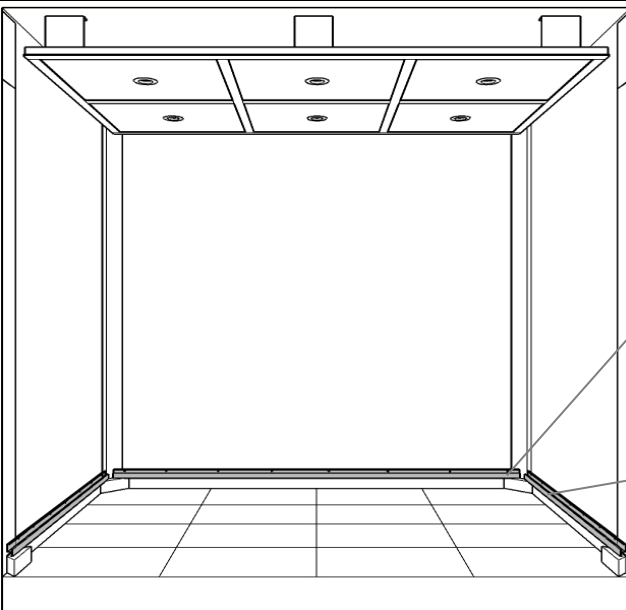
4. Install upper side wall Flat Reveals.

- Dry fit.
- Peel backing from tape.
- With taped edge closest to the transom, put reveal against lower reveal and transom.
- Seat Flat Reveal firmly against wall.
- Remove protective film.



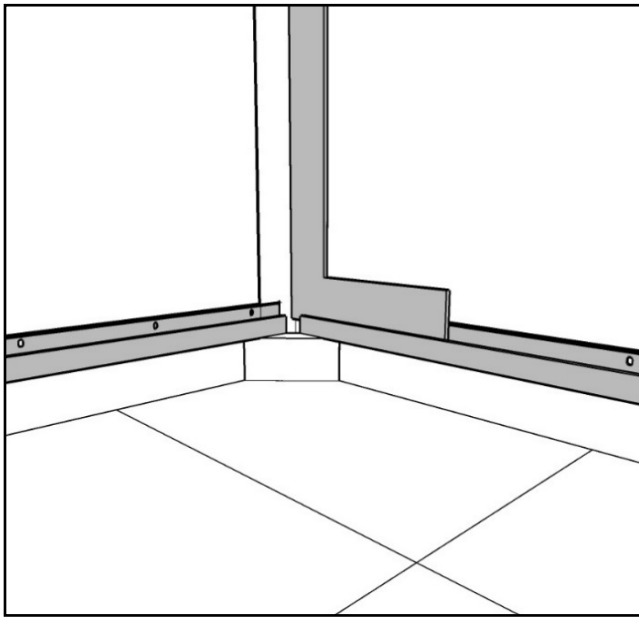
5. Install Toe Kick Flats and add ventilation (if needed).

- Dry fit Toe Kick Flat.
- Apply construction adhesive (supplied) to Toe Kick Flat between strips of foam tape.
- Peel backing from tape.
- Center Toe Kick Flat between corners, overlapping reveals, and place tight against floor.
- Press Toe Kick Flat into place.
- Cut/drill any necessary ventilation (per code) above Toe Kick Flat.



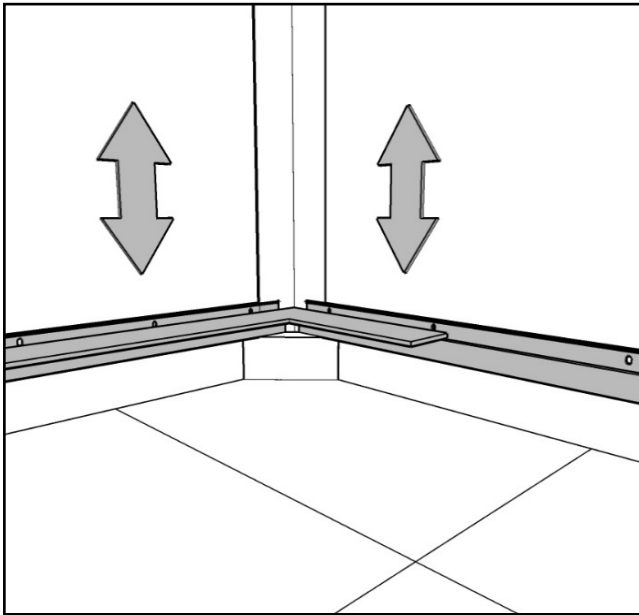
6. Install Toe Kick Binders (Layer 1) .

- Place temporary Toe Kick Spacer Blocks (supplied) on clean/flat floor.
- Rest Toe Kick Binders on blocks to set height of binders.
- Center Toe Kick Binders directly above previously installed Toe Kick Flat.
- Using 9/64" drill bit (supplied) drill through end and center binder slots to create pilot holes in cab shell.
- Using 9/16" pan head Toe Kick Binders screws (supplied), fasten binders temporarily in place.



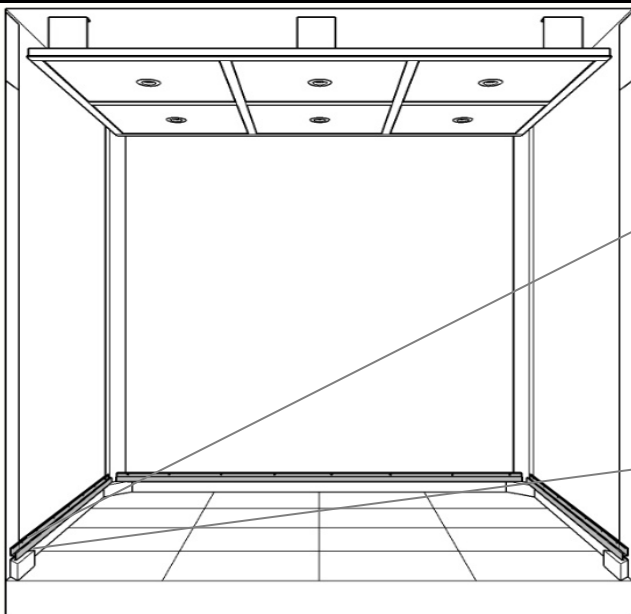
7. Check alignment of Toe Kick Binders.

- Lay a framing square over Toe Kick Binders in corners and look for gaps.
- Check to see if Toe Kick Binders are square with corner and at the same height.
- **Tip:** Temporarily installing layer 2 panels (without construction adhesive), fastened with one screw each, will help with checking alignment/height (see steps 11 & 12).



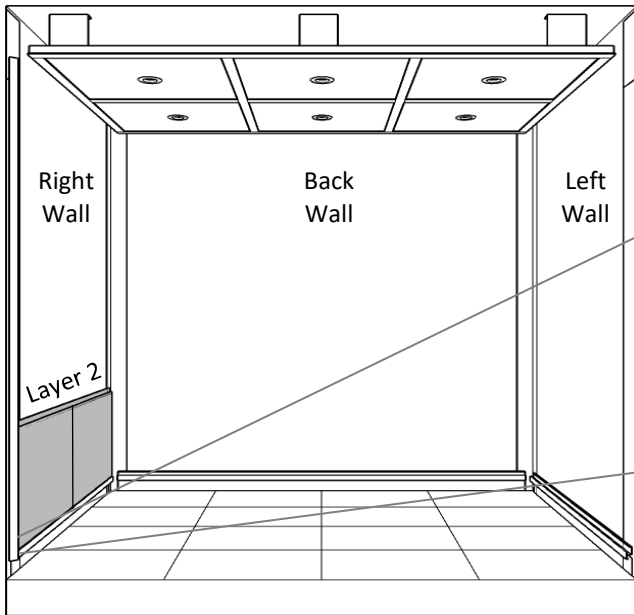
8. Make any necessary adjustments to Toe Kick Binders.

- If Toe Kick Binders are out of alignment or out of square, move end of a Toe Kick Binder up or down to compensate.
- Once adjusted, secure Toe Kick Binders and double check alignment.



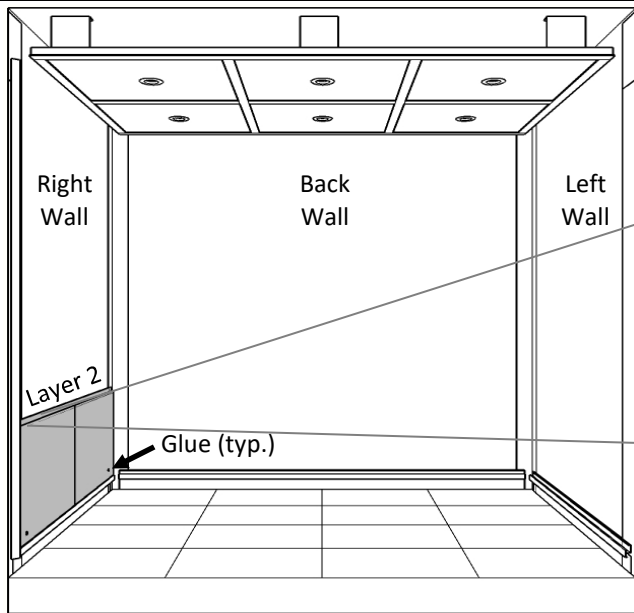
9. Screw Toe Kick Binders to wall.

- When Toe Kick Binders are properly positioned, use 9/64" drill bit (supplied) to drill pilot holes through remaining holes in binder and through cab shell, using Drill Guide (supplied).
- Shim any gaps with shims (supplied) and screw Toe Kick Binders to wall using 9/16" pan head Toe Kick Binder screws (supplied).
- Remove Toe Kick Spacers and remove debris from Toe Kick Binder.



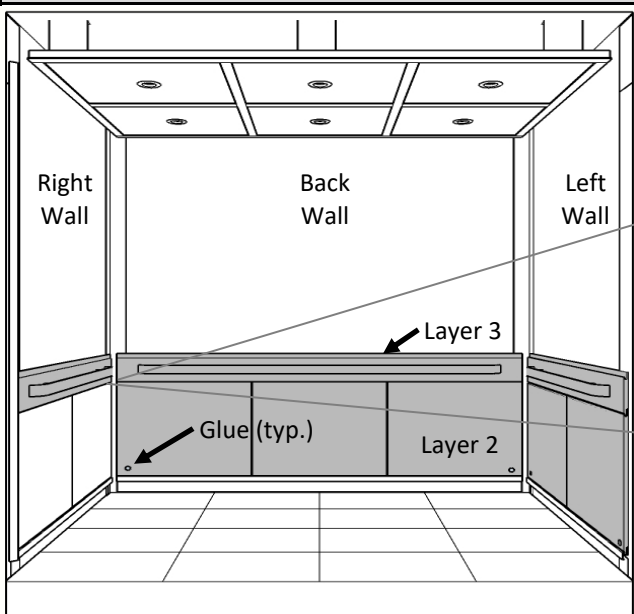
10. Install first panel (Layer 2) in conjunction w/ Panel Binder (if supplied).

- Colored tape on face of panels show alignment of each wall. Tape colors are typically right wall (red), back wall (white), and left wall (blue).
- Fit tongue of panel into Toe Kick Binder and temporarily hold in place.
- Panel Binders are for wall(s) closest to door strike (to protect panel edge). If Panel Binders are not provided for this wall, move to step 11. Otherwise, slip notch end of Panel Binder over Toe Kick Binder until bottom surfaces are flush.
- Fit tab of Panel Binder into groove in back of panel as you fit panel in place.



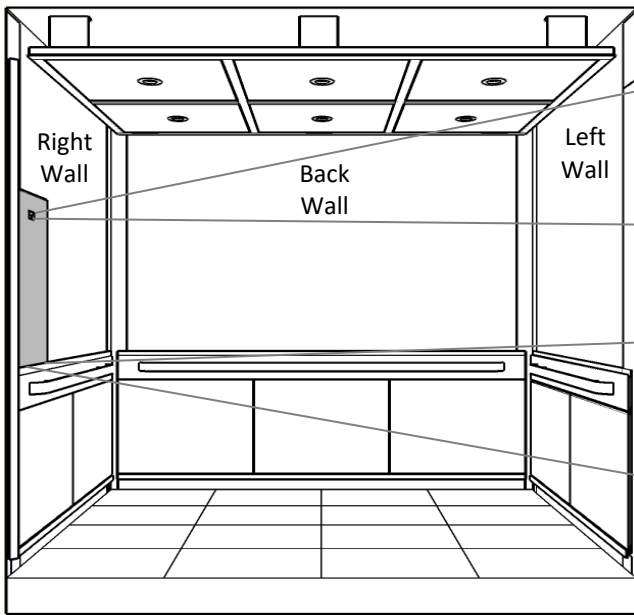
11. Install first panel (Layer 2).

- Position so panel edge is flush with ends of Toe Kick Binder.
- Tilt layer 2 panel forward.
- On back of panel, apply a dab (quarter size) of construction adhesive (supplied) as indicated by circles on image.
- Shim any gaps with shims (supplied).
- Drill pilot holes through cab shell using Drill Guide (supplied). The Drill Guide prevents drill chuck from damaging panel.
- Fasten panel to wall using blunt tip screws (supplied).



12. Install remaining panels (Layers 2 & 3).

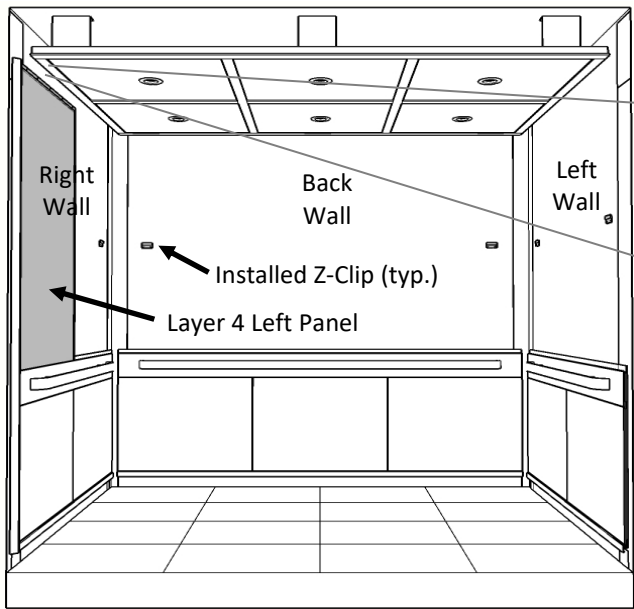
- Fit tongue of panel into Toe Kick Binder. Check alignment with square and adjust as needed by raising or lowering ends.
- On back of panel, apply a dab (quarter size) of construction adhesive (supplied) as indicated by circles on image.
- Shim any gaps with shims (supplied), drill pilot holes through cab shell using Drill Guide (supplied), and fasten panels to wall using blunt tip screws (supplied).
- If loose handrails are supplied, see instructions with handrail(s) to mount. Mount handrail before installing layer 3.
- Remove debris from layer 2 panel joints and check alignment as you install layer 3 panels.



Template atop panel, **NOT** in panel groove

13. Install z-clips for layer 4 panels.

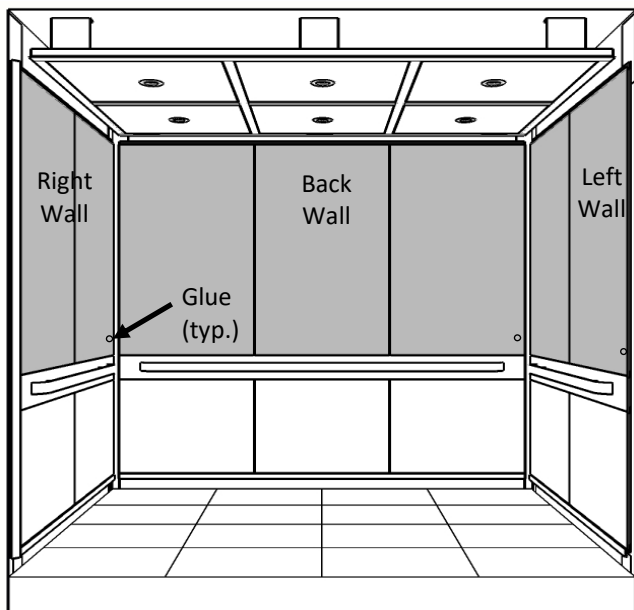
- Outer vertical panels (w/ pocket on back & no tongue on side of panel) typically attach with z-clips and screws. If panels do not have a back pocket, & z-clips & mounting template are not supplied, skip ahead all steps mentioning z-clips.
- Start on right wall. Place supplied Z-Clip Template atop previously installed panel, flush with left panel edge.
- Insert z-clip (supplied) into pocket.
- Pre-drill and mount z-clip to cab shell using screws (supplied). Repeat for each z-clip pocket on template (taller panels have more than (1) z-clip per panel).
- Place Z-clip Template atop previously installed panel, flush w/ right panel edge.
- Repeat previous steps to attach z-clip, then remove template.
- Repeat z-clip installation for remaining walls with panels that have z-clip pockets.



Top Reveal (if supplied)

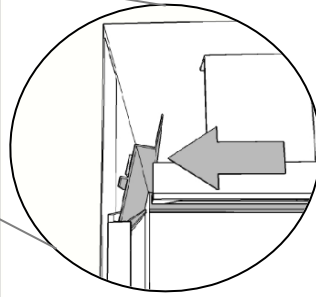
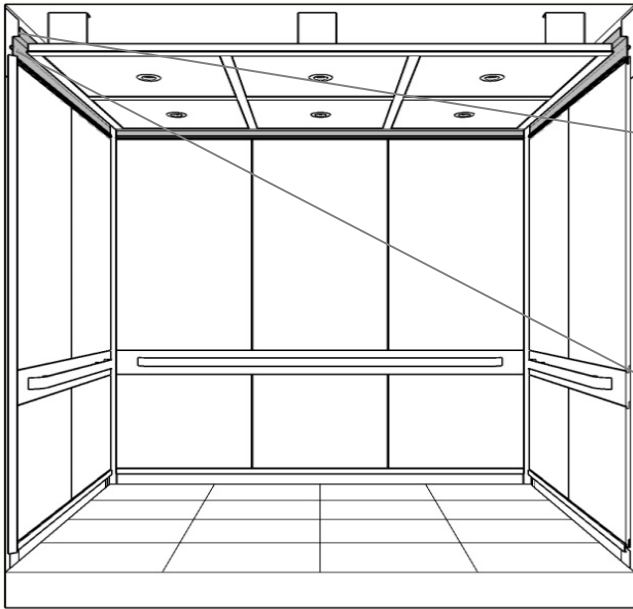
13a. Install first vertical Layer 4 Left Panel on right wall.

- Colored tape on face of panels show alignment of panels on each wall.
- If a "Top Reveal" is supplied, install before this panel. See label on part for instructions.
- Avoid using construction adhesive on this panel.
- Install first panel so recessed metal on back of panel hooks onto z-clip (if applicable) and rest panel in groove of panel below (maintain 1/8" shadow line between panels).
- Position and check alignment. Shim any gaps with shims (supplied), drill pilot holes through cab shell using Drill Guide (supplied), and fasten panel to wall using blunt tip screws (supplied).



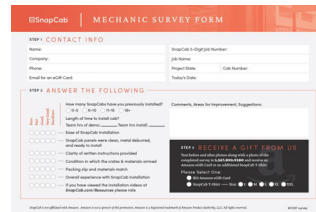
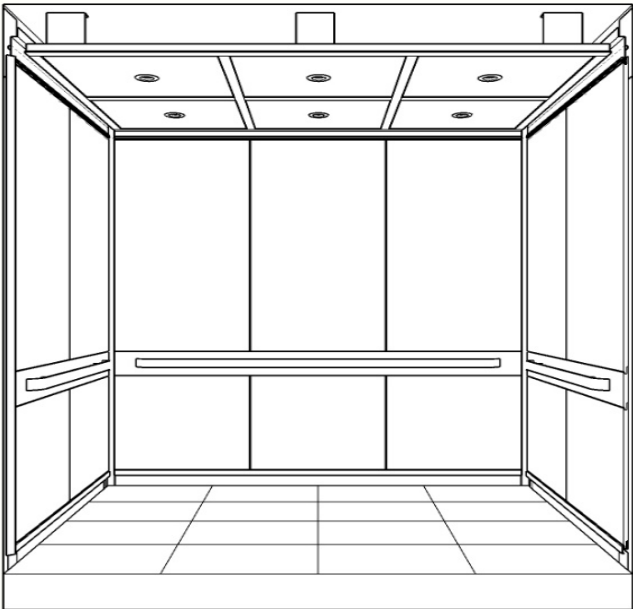
13b. Install remaining layer 4 panels.

- If applicable, install Layer 4 Middle Panel(s) by inserting vertical panel tongue into vertical groove of previously installed panel. Lower panel so bottom tongue of panel seats into groove of panel below. Maintain 1/8" shadow-line. Fasten panel using blunt tip screws (supplied).
- Before installing Layer 4 Right Panel, apply a dab (quarter size) of construction adhesive (supplied) on back of panel. Apply adhesive 3"-4" from bottom & edge of panel, as indicated by circles on image.
- Insert vertical panel tongue into vertical groove of previously installed panel while aligning recessed metal on back of panel to hook onto z-clip (if applicable). Push down so bottom tongue of panel seats into groove of panel below. Maintain 1/8" shadow-line between panels. Fasten panel using blunt tip screws (supplied).
- Repeat steps 13a and 13b for remaining walls.
- If a horizontal layer remains, install like step 12.



14. Install Top Caps.

- Top Caps are held to wall by Dual Lock strips backed by adhesive. Clean cab shell / area where adhesive will attach. Remove backing from adhesive.
- **5/8" wall panels:** Angle bottom of Top Cap and insert into wall panel groove.
- **3/8" wall panels:** Angle bottom of Top Cap so steel tab slips in behind top wall panel. Shimming of top panel may be necessary.
- Bottom of Top Cap should rest evenly on top panel without a gap. Press top of Top Cap against wall until Dual Lock strips hold it in place.



15. Clean cab.

- Remove any remaining stickers, painter's tape, and/or protective film.
- Wipe down panels according to Use & Care Guide.
- Put trash in trash bag (supplied) and give cab a general cleaning.
- Complete Mechanic Survey Card electronically or complete by hand and mail back postage paid card to receive gift card or t-shirt.