

## Full Vertical Wall Panel Installation Instructions

### Demolition - Common Tools Needed

- Reciprocating Saw
- Allen Wrench Set
- Hole Saw Set
- Pry Bar
- Dust Pan and Brush
- Putty Knife / Scraper
- Hex Bit Socket Set
- All Necessary Safety Items

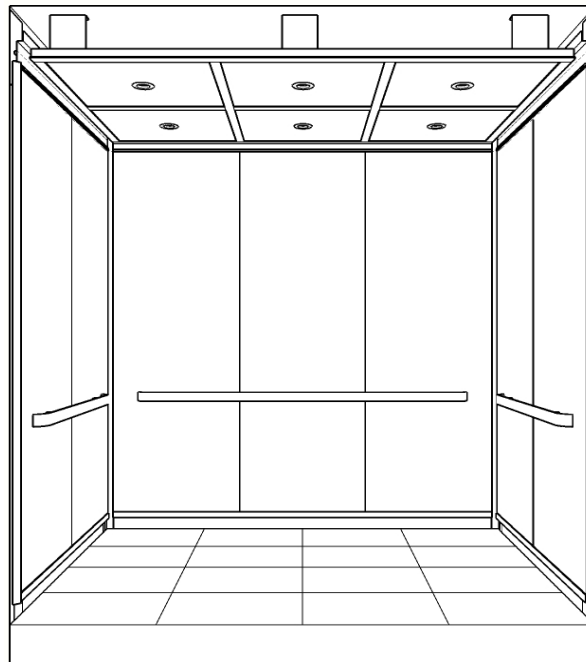
### Installation - Tools Needed

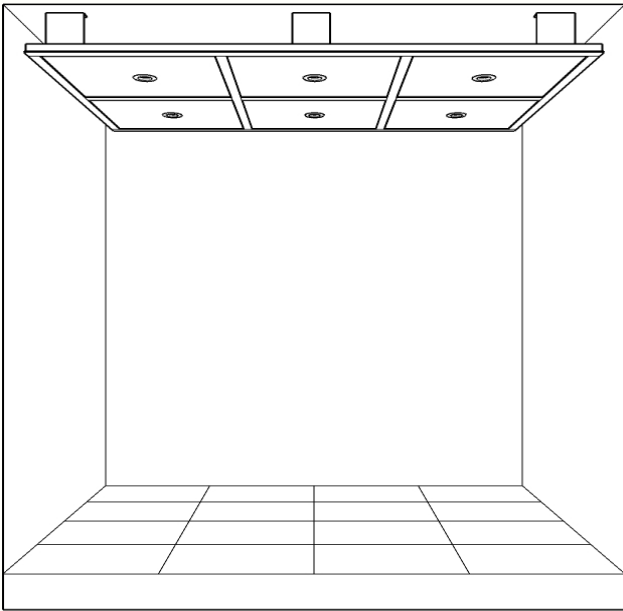
- Utility Knife
- Painters tape
- 10.5 oz. Caulking Gun
- Tape Measure
- Two (2) 18V Cordless Drills/Drivers
- Framing Square (18" or larger)
- Step Ladder
- All Necessary Safety Items

### Optional (helpful item)

- Drywall Dolly (to transport panels)
- Suction cup handles

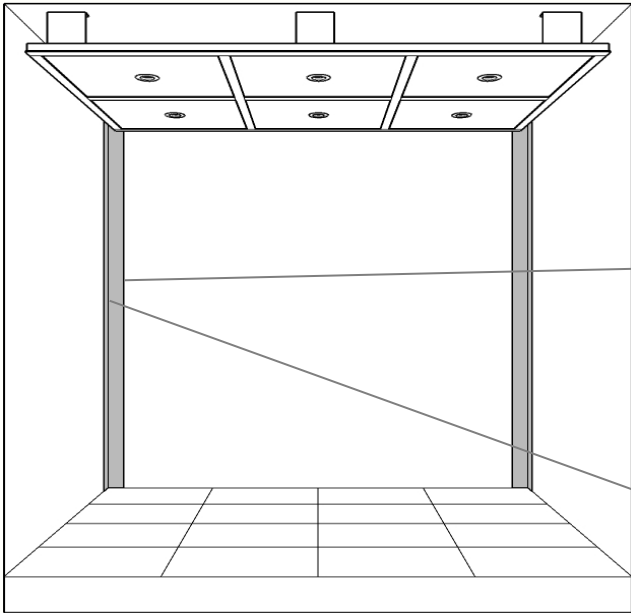
These instructions are applicable for the full vertical panel design shown below. The capacity may increase/decrease the quantity of panels to install.





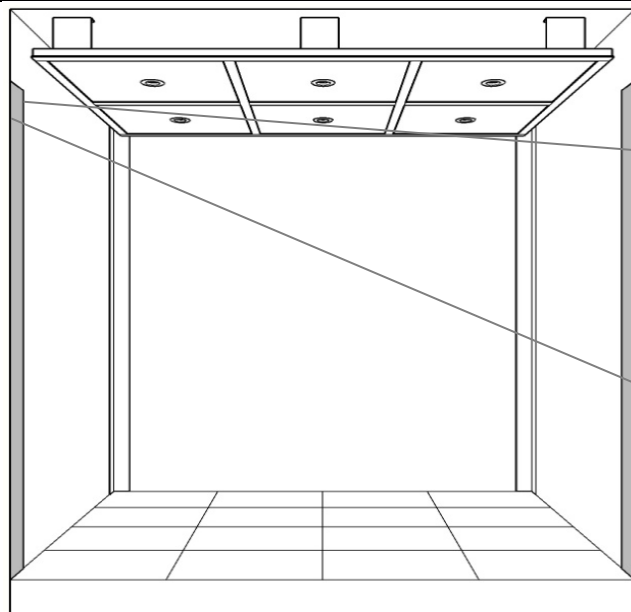
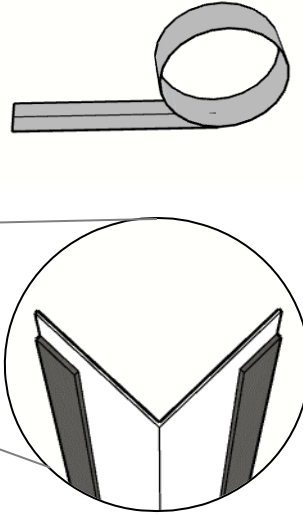
### 1. Prepare existing cab shell.

- Protect cab floor.
- Remove old cab interior walls.
- If installing a new ceiling, remove old ceiling and install new ceiling before proceeding (see separate ceiling instructions).
- Remove loose debris, paint, grease, and clean where reveals and toe kicks will be installed (see steps 2-5).
- If necessary, paint top 4" of all non-access walls with matte black paint (not included).



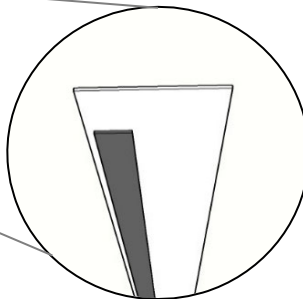
### 2. Unroll, fold and Install Corner Reveals (not applicable with front & rear cabs).

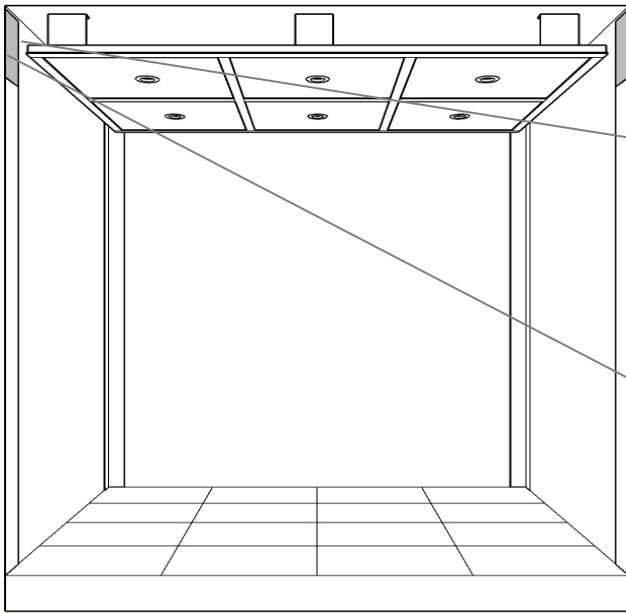
- Corner Reveals are designed to sit about 1" below canopy to avoid trimming.
- Unroll reveals and lay on flat surface.
- Fold reveal 90 degrees.
- Wrap both ends and middle with painters tape (tape helps hold reveal at right angle).
- Dry fit.
- Peel backing from adhesive tape.
- Put end of reveal on floor.
- Break painters tape.
- Seat reveal firmly against wall.
- Remove protective film.



### 3. Install lower side wall Flat Reveals.

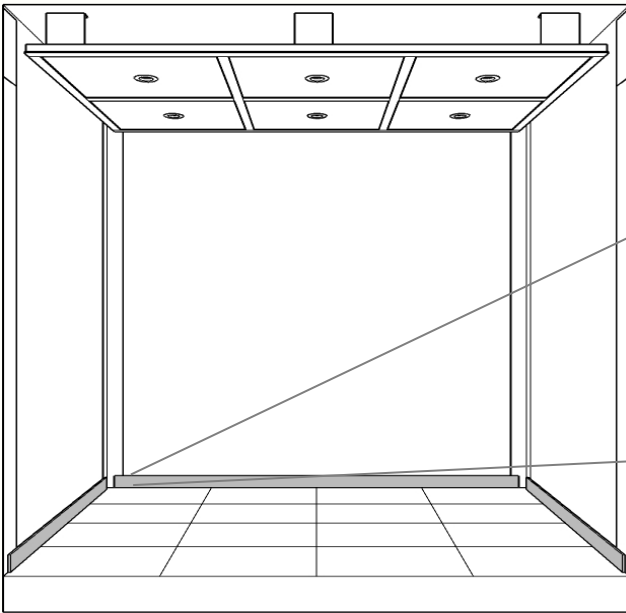
- Dry fit.
- Peel backing from tape.
- With taped edge closest to return wall, put end of reveal on floor.
- Seat reveal firmly against wall.
- Remove protective film.





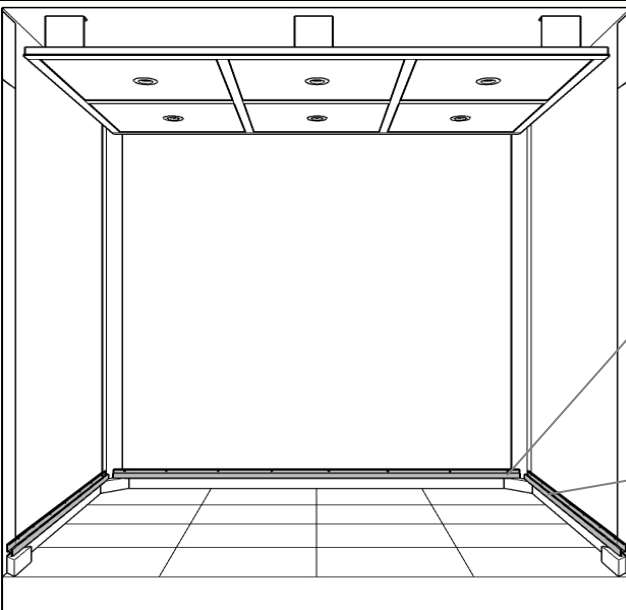
#### 4. Install upper side wall Flat Reveals.

- Dry fit.
- Peel backing from tape.
- With taped edge closest to the transom, put reveal against lower reveal and transom.
- Seat Flat Reveal firmly against wall.
- Remove protective film.



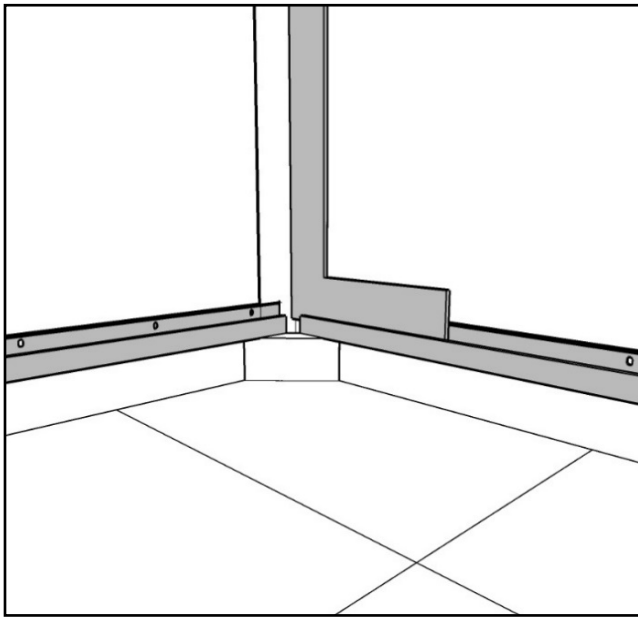
#### 5. Install Toe Kick Flats and add ventilation (if needed).

- Dry fit Toe Kick Flat.
- Apply construction adhesive (supplied) to Toe Kick Flat between strips of foam tape.
- Peel backing from tape.
- Center Toe Kick Flat between corners, overlapping reveals, and place tight against floor.
- Press Toe Kick Flat into place.
- Cut/drill any necessary ventilation (per code) above Toe Kick Flat.



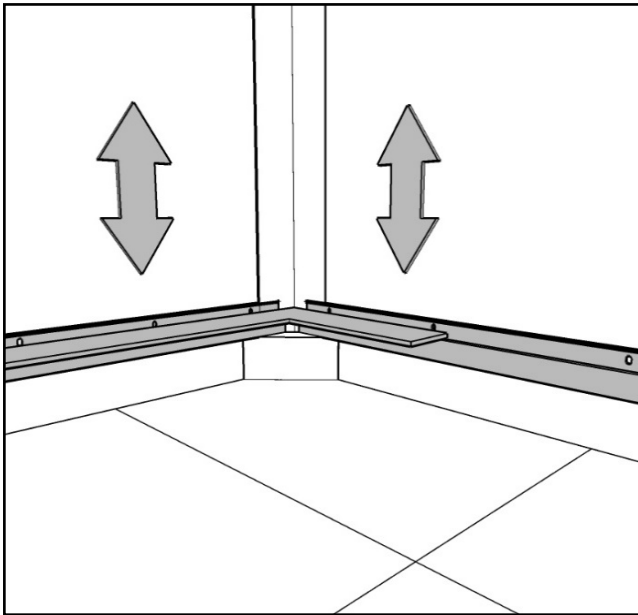
#### 6. Install Toe Kick Binders (Layer 1) .

- Place temporary Toe Kick Spacer Blocks (supplied) on clean/flat floor.
- Rest Toe Kick Binders on blocks to set height of binders.
- Center Toe Kick Binders directly above previously installed Toe Kick Flat.
- Using 9/64" drill bit (supplied) drill through end and center binder slots to create pilot holes in cab shell.
- Using 9/16" pan head Toe Kick Binders screws (supplied), fasten binders temporarily in place.



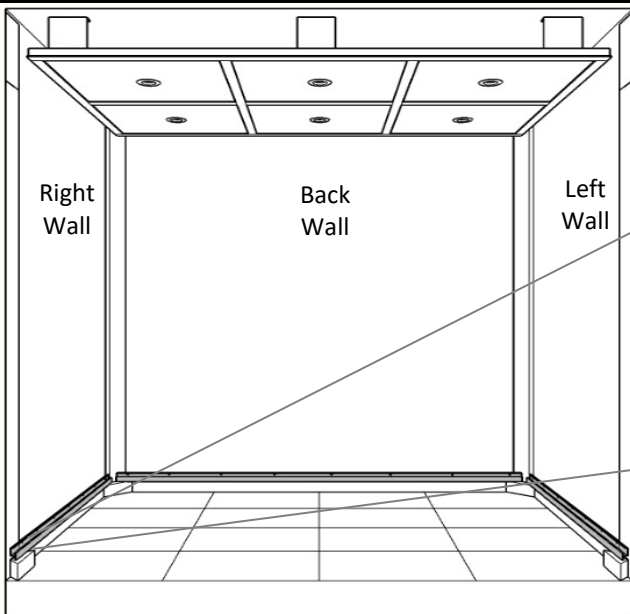
**7. Check alignment of Toe Kick Binders.**

- Lay a framing square over Toe Kick Binders in corners and look for gaps.
- Check to see if Toe Kick Binders are square with corner and at the same height.



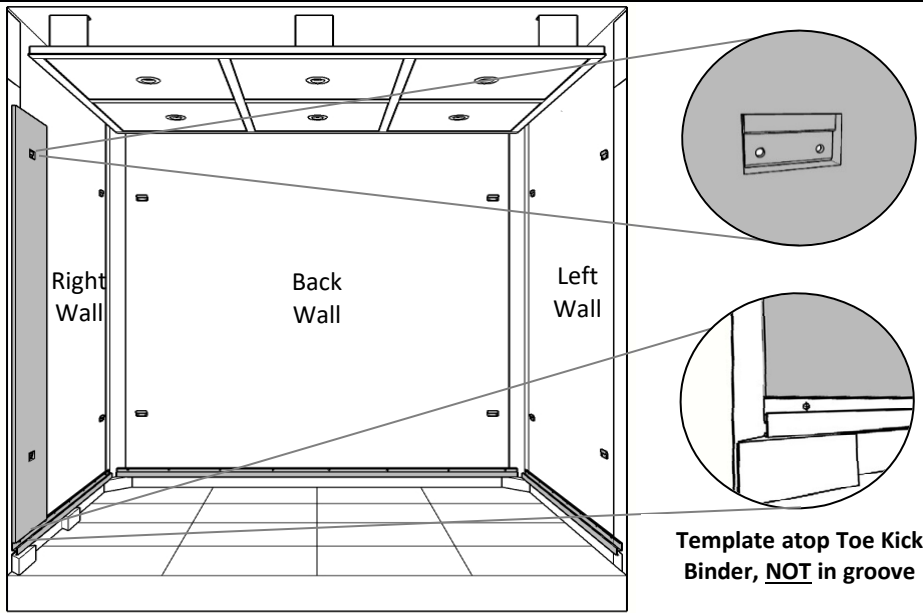
**7a. Make any necessary adjustments to Toe Kick Binders.**

- If Toe Kick Binders are out of alignment or out of square, move end of a Toe Kick Binder up or down to compensate.
- Once adjusted, secure Toe Kick Binders and double check alignment.

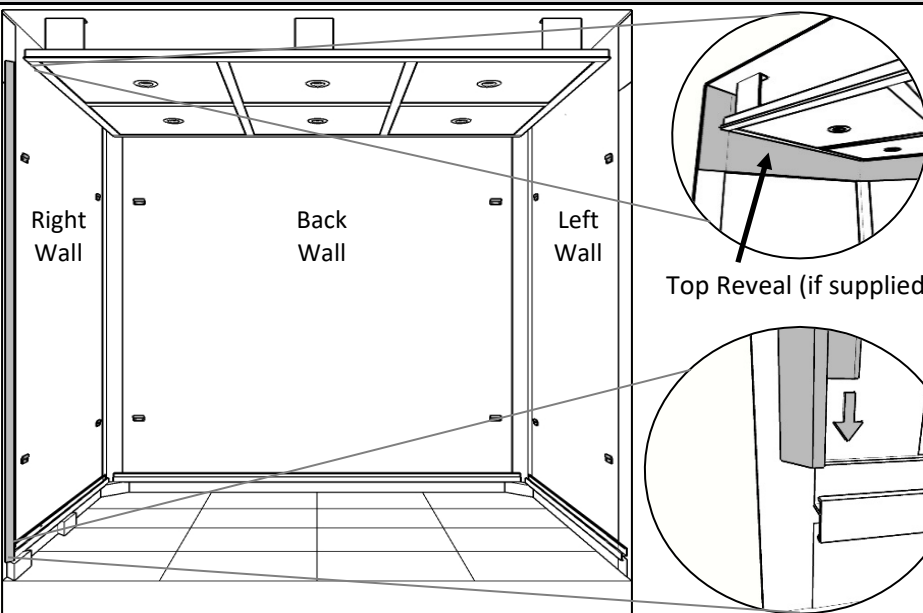


**8. Screw Toe Kick Binders to wall.**

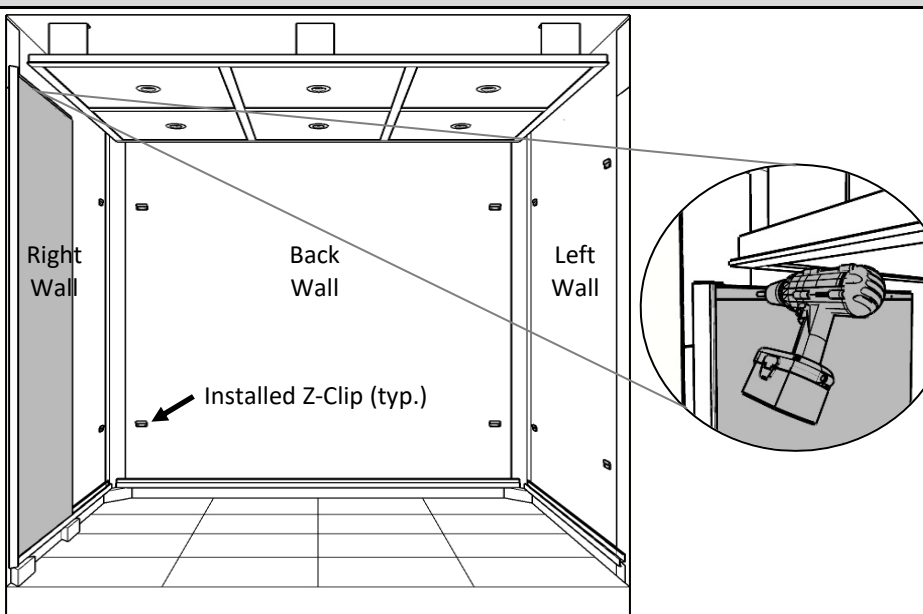
- When Toe Kick Binders are properly positioned, use 9/64" drill bit (supplied) to drill pilot holes through remaining holes in binder and through cab shell, using Drill Guide (supplied).
- Shim any gaps with shims (supplied) and screw Toe Kick Binders to wall using 9/16" pan head Toe Kick Binder screws (supplied).
- Move one Toe Kick Spacer from Left Wall and place under Toe Kick Binder in center of Right Wall (supports panel during installation).
- Remove debris from Toe Kick Binder.



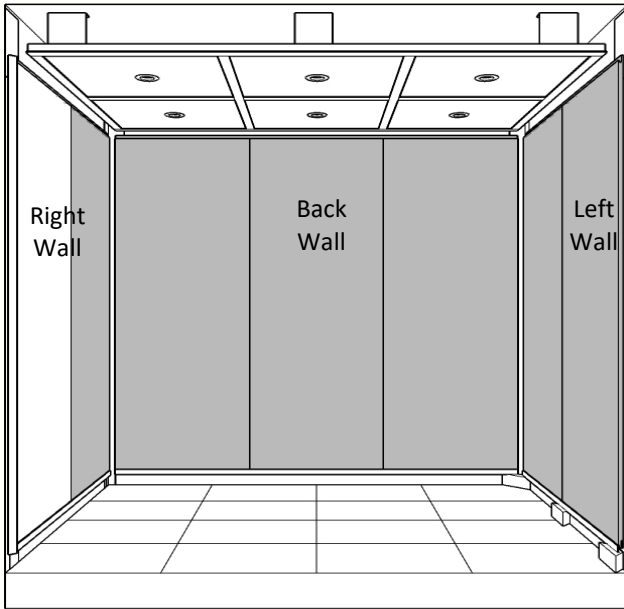
- 9. Install z-clips for vertical panels.**
- Outside vertical panels (w/ pocket on back & no tongue on side of panel) typically attach with z-clips and screws. If panels do not have a back pocket, & z-clips & mounting template are not supplied, skip ahead all steps mentioning z-clips.
  - Start on right wall. Place supplied Z-clip Template atop previously installed Toe Kick Binder, flush w/ left edge of Toe Kick Binder.
  - Insert z-clip (supplied) into pocket.
  - Pre-drill and mount z-clip to cab shell using screws (supplied).
  - Repeat for each z-clip pocket on template (taller panels have more than two z-clips per panel).
  - Place Z-clip Template atop Toe Kick Binder, flush w/ right edge of Toe Kick Binder.
  - Repeat previous steps to attach z-clips, then remove template.
  - Repeat z-clip installation for remaining walls with panels that have z-clip pockets.



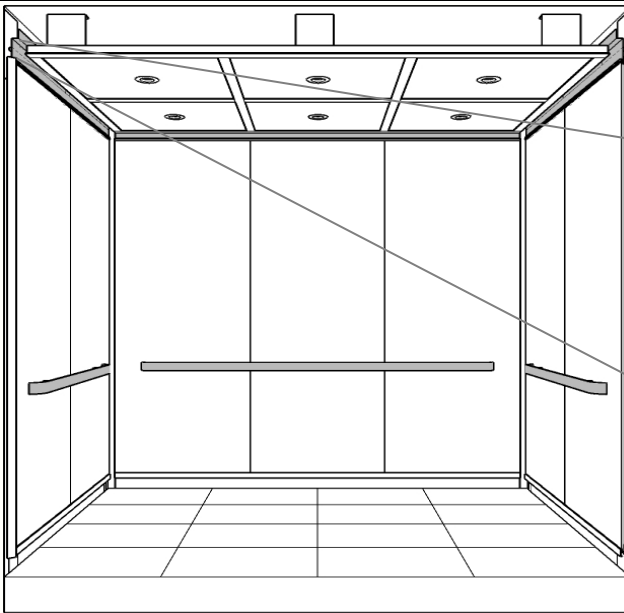
- 10. Install Panel Binder (if supplied).**
- Panel Binders are for wall(s) closest to door strike (to protect panel edge). If Panel Binders are not provided for this wall, move to step 11.
  - Cut off a small piece (approximately 1") of double sided tape and apply to back of Panel Binder toward top.
  - Slip notch end of Panel Binder over Toe Kick Binder until bottom surfaces are flush.
  - Peel backing from tape. Align/straighten Panel Binder and push against reveal so tape temporarily holds binder in place.
  - If a "Top Reveal" is supplied, install now. See label on part for instructions.



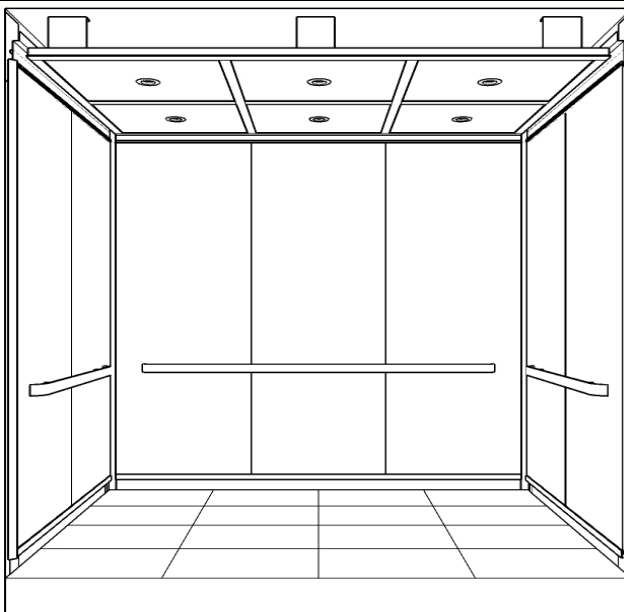
- 11. Install Layer 2 Left Panel on right wall**
- Position so panel edge is flush with end of Toe Kick Binder.
  - Colored tape on face of panels show alignment of each wall. Tape colors are typically right wall (red), back wall (white), and left wall (blue).
  - Install first panel so recessed metal on back of panel hooks onto z-clip (if applicable). Fit Panel Binder into groove in back of panel as you fit panel into place. Rest panel into groove of Toe Kick Binder. Position/check alignment.
  - Shim any gaps with shims (supplied), drill pilot holes through cab shell using Drill Guide (supplied). The Drill Guide prevents drill chuck from damaging panel.
  - Fasten panel to wall using blunt tip screws (supplied).



- 12. If applicable install Layer 2 Middle Panel(s)**
- Install middle panel(s) by inserting vertical panel tongue into vertical groove of previously installed panel. Lower panel so bottom tongue of panel seats into groove of Toe Kick Binder. Maintain 1/8" shadow-line between panels.
  - Shim any gaps, drill pilot holes using Drill Guide, and fasten panels to wall using blunt tip screws.
- 13. Install Layer 2 Right panel**
- Insert vertical panel tongue into vertical groove of previously installed panel while aligning recessed metal on back of panel to hook onto z-clip (if applicable). Push down so bottom tongue of panel seats into groove of Toe Kick Binder. Maintain 1/8" shadow-line between panels. Shim any gaps, drill pilot holes using Drill Guide, and fasten panels to wall using blunt tip screws.
  - Repeat steps 11 - 13 for remaining walls. Move Toe Kick Spacer to center of each wall, under Toe Kick Binder during install for panel support.



- 14. Install Loose Handrails and Top Caps.**
- If loose handrails are supplied, see instructions with handrail(s) to mount.
  - Top Caps are held to wall by Dual Lock strips backed by adhesive. Clean cab shell / area where adhesive will attach. Remove backing from adhesive.
  - Angle bottom of Top Cap and insert into wall panel groove. **Note:** If Top Cap has a mounted steel clip, angle bottom of Top Cap so steel tab slips in behind top wall panel. Shimming of top panel may be necessary.
  - Bottom of Top Cap should rest evenly on top panel without a gap. Press top of Top Cap against wall until Dual Lock strips hold it in place.



- 15. Clean cab.**
- Remove any remaining stickers, painter's tape, Toe Kick Spacers, and/or protective film.
  - Wipe down panels according to Use & Care Guide.
  - Put trash in trash bag (supplied) and give cab a general cleaning.
  - Complete Mechanic Survey Card electronically or complete by hand and mail back postage paid card to receive gift card or t-shirt.